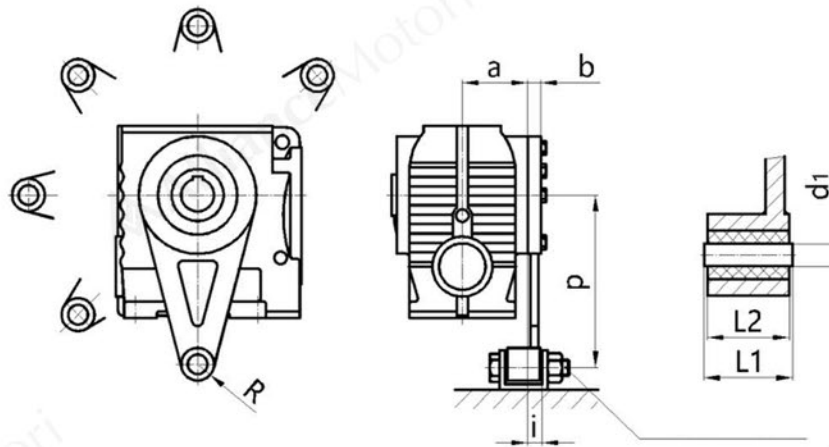
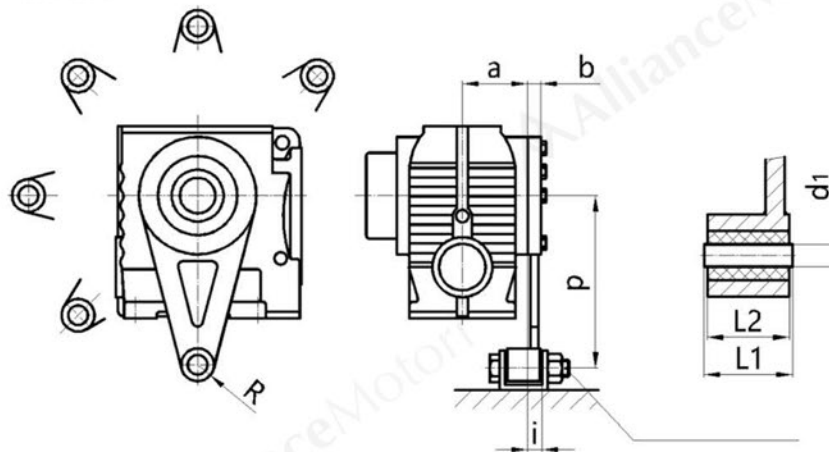


■ Mounting Dimensional Description ASAT39-109 / ASHT39-109

ASAT39-109



ASHT39-99



Type Size	a	b	i	p	R	d_1	$L1_{-0.3}^0$	L2
ASAT39/ASHT39	57	10	26	110	21	$10.4_{-0.1}^{+0.1}$	36	31
ASAT49/ASHT49	57.5	15	20.5	130	21	$10.4_{-0.1}^{+0.1}$	36	31
ASAT59/ASHT59	72	15	18.5	160	21	$10.4_{-0.1}^{+0.1}$	36	31
ASAT69/ASHT69	80.5	18	19.5	200	21	$10.4_{-0.1}^{+0.1}$	36	31
ASAT79/ASHT79	101	18	32.5	250	30	$16.4_{-0.08}^{+0.08}$	60	54
ASAT89/ASHT89	120	24	25.5	310	30	$16.4_{-0.08}^{+0.08}$	60	54
ASAT99/ASHT99	140	26	33	380	40	$25_{-0.08}^{+0.08}$	80	72
ASAT109	162	24	49	430	40	$25_{-0.08}^{+0.08}$	80	74

For other dimensions, see the type ASA/ASH

Note: bolts I and nuts II are prepared by customers.

Note: When equipping the user's motor or the special one, the flange is required to be connected. (Please see appendix D)