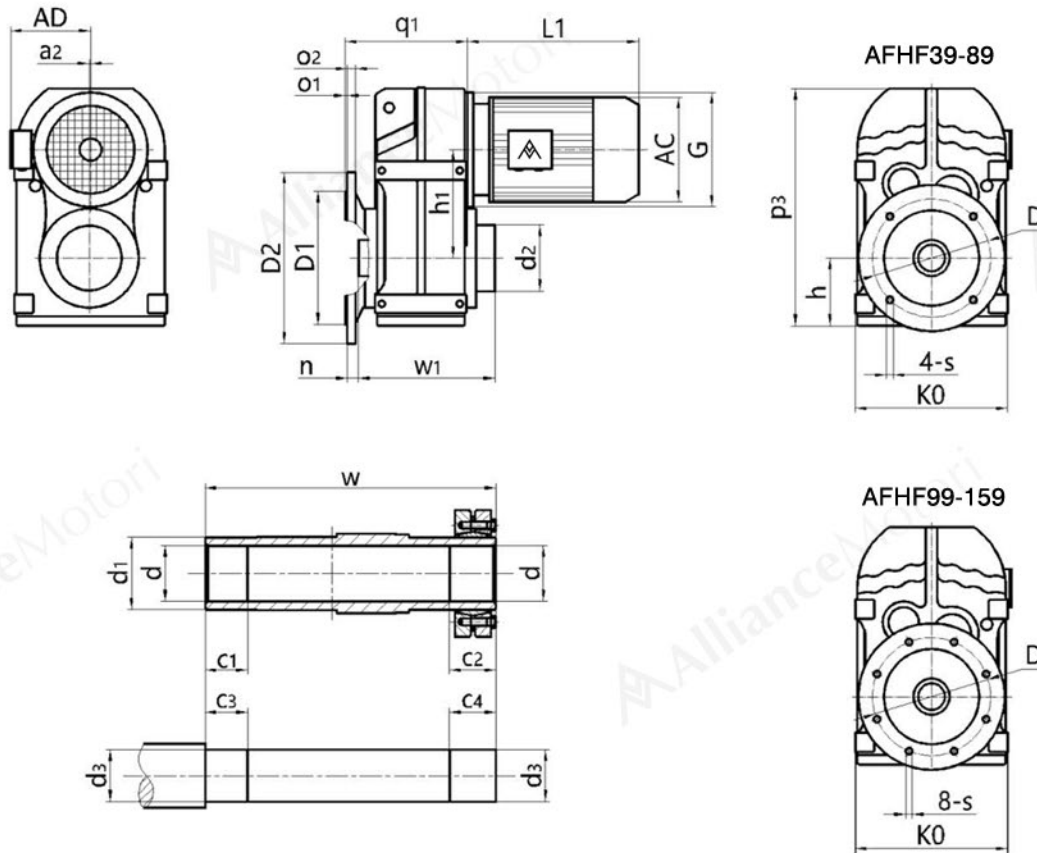


**■ Mounting Dimensional Description
AFHF39-159**



Type Size	q ₁ p ₃	o ₁ o ₂	h h ₁	n s	K0 D	D1 D2	d ₂ d ₁	d d ₃	w w ₁	c ₁ c ₂	c ₃ c ₄	a ₂ G	Motor Size			
													AC	AD	L1	
AFHF39	137.5 256	3.5 10	77 112	24 Φ9	165 Φ130	Φ110j6 Φ160	Φ80 Φ45	Φ30H7 Φ30h6	146 152.5	20 31	25 36	/ Φ120	Please see appendix A-2 and A-3			
AFHF49	161.5 276	3.5 12	80 128.1	25 Φ11	180 Φ165	Φ130j6 Φ200	Φ88 Φ50	Φ35H7 Φ35h6	177 183	20 32	25 37	/ Φ120				
AFHF59	177.5 321	4 15	93 136	23.5 Φ13.5	200 Φ215	Φ180j6 Φ250	Φ102 Φ55	Φ40H7 Φ40h6	195 202	20 26	25 31	/ Φ160				
AFHF69	188 348	4 15	97 159.5	23 Φ13.5	212 Φ215	Φ180j6 Φ250	Φ102 Φ55	Φ40H7 Φ40h6	208 215.5	20 38	25 43	/ Φ160				
AFHF79	234 430	4 16	122 200	37 Φ13.5	270 Φ265	Φ230j6 Φ300	Φ127 Φ70	Φ50H7 Φ50h6	241 249	30 36	35 41	/ Φ200				
AFHF89	259 534	5 18	150 246.7	30 Φ17.5	330 Φ300	Φ250h6 Φ350	Φ157 Φ85	Φ65H7 Φ65h6	281 287	40 41	45 46	/ Φ250				
AFHF99	320.5 630	5 22	180 285	41.5 Φ17.5	400 Φ400	Φ350h6 Φ450	Φ171 Φ95	Φ75H7 Φ75h6	345 352	50 55	55 60	/ Φ300				
AFHF109	358 723	5 22	201 332.4	41 Φ17.5	450 Φ400	Φ350h6 Φ450	Φ234 Φ118	Φ95H7 Φ95h6	405 417	60 65	70 75	/ Φ350				
AFHF129	429 861	5 25	236 382.6	51 Φ17.5	530 Φ500	Φ450h6 Φ550	Φ233 Φ135	Φ105H7 Φ105h6	485 493	70 85	80 95	10 Φ450				
AFHF159	521 1021	6 28	286 447	60 Φ22	660 Φ600	Φ550h6 Φ660	Φ287 Φ155	Φ125H7 Φ125h6	580 592	80 90	90 100	15 Φ550				

Note: the dimensions don't include the height of the breathe valve. the height of the breathe valve is 17.

Note: When equipping the user's motor or the special one, the flange is required to connected. (Please see appendix D)