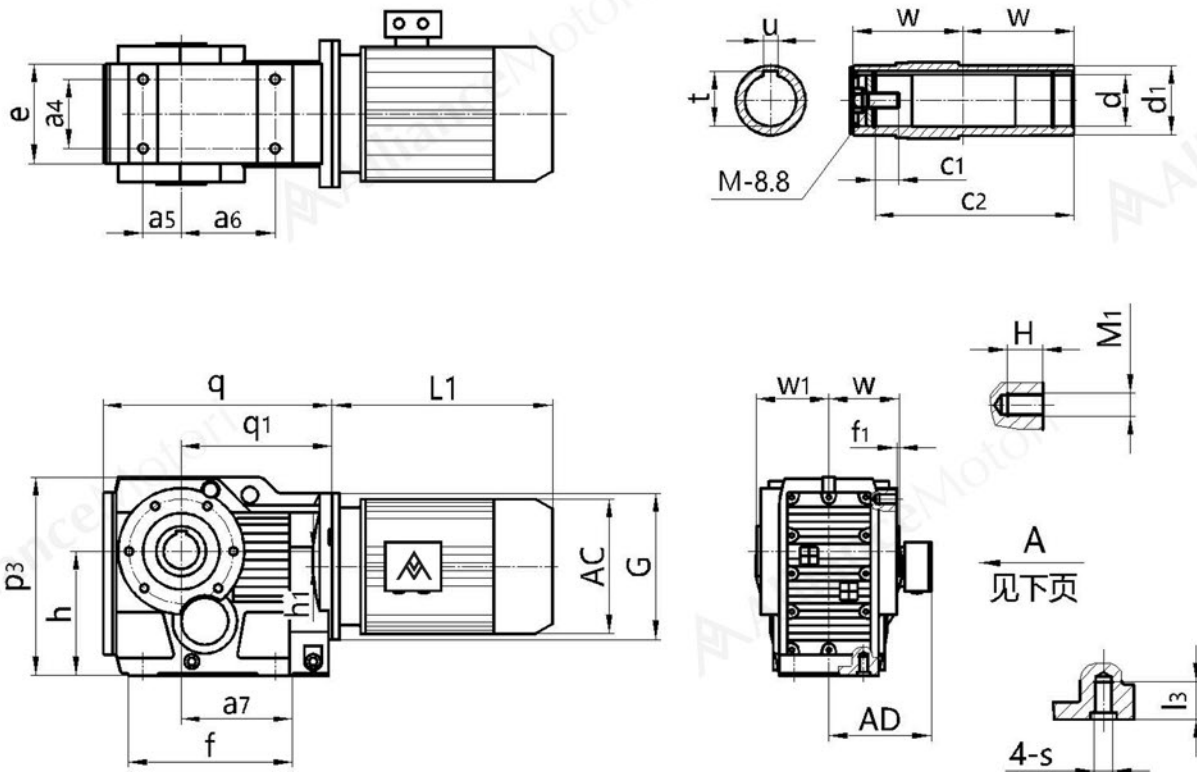


■ Mounting Dimensional Description AKA39-109

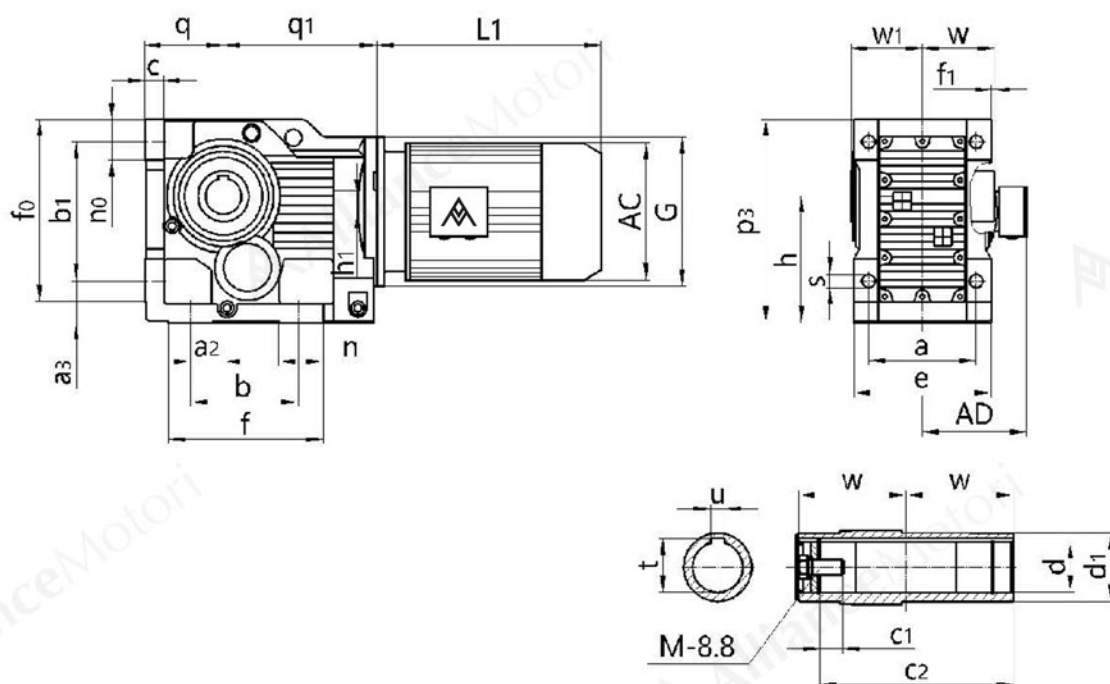


| Type Size | s q | l ₃ q ₁ | e w | a ₄ d | a ₅ d ₁ | a ₆ t | a ₇ u | f f ₁ | h H | h ₁ M ₁ | p ₃ c ₁ | c ₂ M | G w ₁ | Motor Size | | | |
|---------------|------------|----------------------------------|------------|---------------------|----------------------------------|---------------------|---------------------|---------------------|---------------------------|----------------------------------|----------------------------------|---------------------|---------------------|---------------------------------------|----|----|--|
| | | | | | | | | | | | | | | AC | AD | L1 | |
| AKA39 | M10 210 | 20 139 | 100 60 | 60 Φ30H7 | 35 Φ45 | 82 33.3 | 97 8 | 147 2.5 | 100 ^{-0.5} 15 | 8.5 M8 | 164 17 | 105 M10×25 | Φ120 63 | Please see appendix A-2 and A-3 | | | |
| AKA49 | M10 243 | 20 166 | 110 75 | 70 Φ35H7 | 40 Φ50 | 100 38.3 | 115 10 | 170 3 | 112 ^{-0.5} 14 | 7.2 M8 | 185 22 | 132 M12×30 | Φ160 78 | | | | |
| AKA59 | M12 270 | 25 173 | 122 83 | 88 Φ40H7 | 47 Φ55 | 105 43.3 | 120 12 | 182 3 | 132 ^{-0.5} 20 | 13.1 M12 | 215 29 | 142 M16×40 | Φ160 86 | | | | |
| AKA69 | M12 275 | 25 179 | 130 90 | 88 Φ40H7 | 42 Φ55 | 110 43.3 | 125 12 | 182 3.5 | 140 ^{-0.5} 21 | 20 M12 | 226 29 | 156 M16×40 | Φ160 94 | | | | |
| AKA79 | M16 313 | 32 202 | 156 105 | 102 Φ50H7 | 48 Φ70 | 122 53.8 | 139 14 | 204 4 | 180 ^{-0.5} 23 | 31.3 M12 | 288 32 | 183 M16×45 | Φ200 108 | | | | |
| AKA89 | M16 391 | 32 257 | 170 120 | 118 Φ60H7 | 65 Φ85 | 160 64.4 | 190 18 | 280 4 | 212 ^{-0.5} 30 | 25.9 M16 | 338 36 | 210 M20×50 | Φ250 123 | | | | |
| AKA99 | M20 435 | 36 277 | 226 150 | 160 Φ70H7 | 83 Φ95 | 165 74.9 | 190 20 | 298 4 | 265 ⁻¹ 28 | 32.3 M16 | 417 34 | 270 M20×50 | Φ300 153 | | | | |
| AKA109 | M24 537 | 44 341 | 268 175 | 190 Φ90H7 | 100 Φ118 | 190 95.4 | 230 25 | 370 3 | 315 ⁻¹ / | 52 / | 500 40 | 313 M24×60 | Φ350 178 | | | | |

Note:the dimensions don't include the height of the breathe valve.the height of the breathe valve is 17.

Note:When equipping the user's motor or the special one, the flange is required to be connected. (Please see appendix D)

■ Mounting Dimensional Description AKA129-159

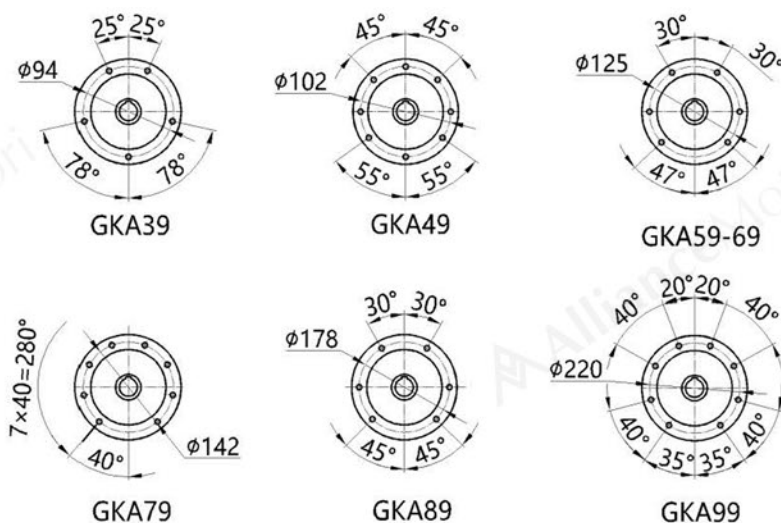


| Type Size | s | p_3 | h | a | e | f_1 | w | d | d_1 | t | u | f | c_2 | G | Motor Size | | |
|-----------|------------|------------|--------------------------|------------|------------|------------|------------|----------------|------------|------------------------------|-----------|-----------|---------------|-------------|------------------------------------|----|----|
| | b | a_2 | n | f_0 | a_3 | b_1 | n_0 | h_1 | c | q | q_1 | c_1 | M | w_1 | AC | AD | L1 |
| AKA129 | Φ39 350 | 592 115 | 375 ₋₁ 100 | 330 526 | 400 110 | 2.5 420 | 205 111 | Φ100H7 53 | Φ135 45 | 106.4 225 _{-0.5} | 28 390 | 440 38 | 373 M24×60 | Φ450 208 | Please see appendix A-2 and A-3 | | |
| AKA159 | Φ39 380 | 705 140 | 450 ₋₁ 100 | 420 634 | 500 130 | 3 500 | 250 125 | Φ120H7 71.7 | Φ155 54 | 127.4 280 ₋₁ | 32 426 | 480 36 | 460 M24×60 | Φ550 253 | | | |

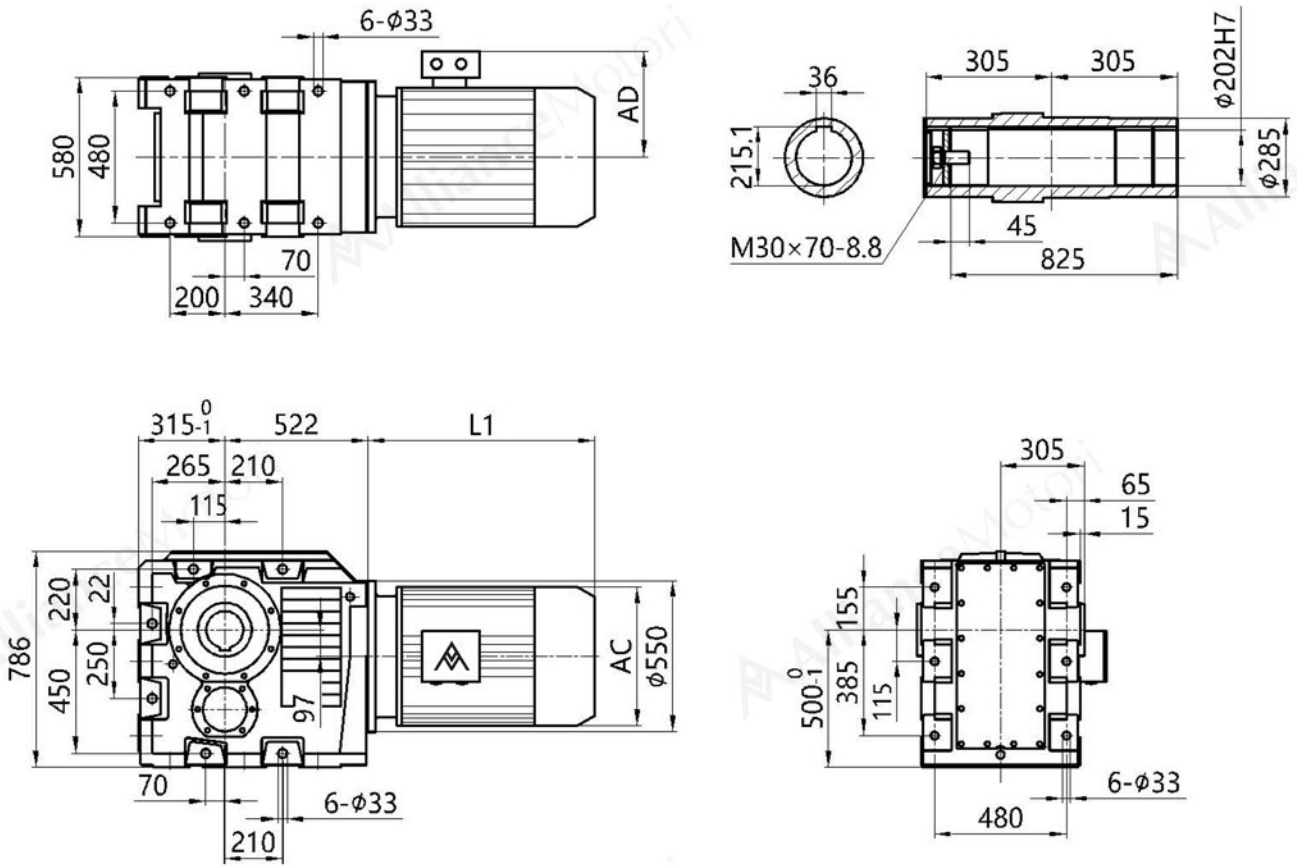
Note:the dimensions don't include the height of the breathe valve.the height of the breathe valve is 17.

Note:When equipping the user's motor or the special one, the flange is required to connected. (Please see appendix D)

Fig.A Mounting Dimension

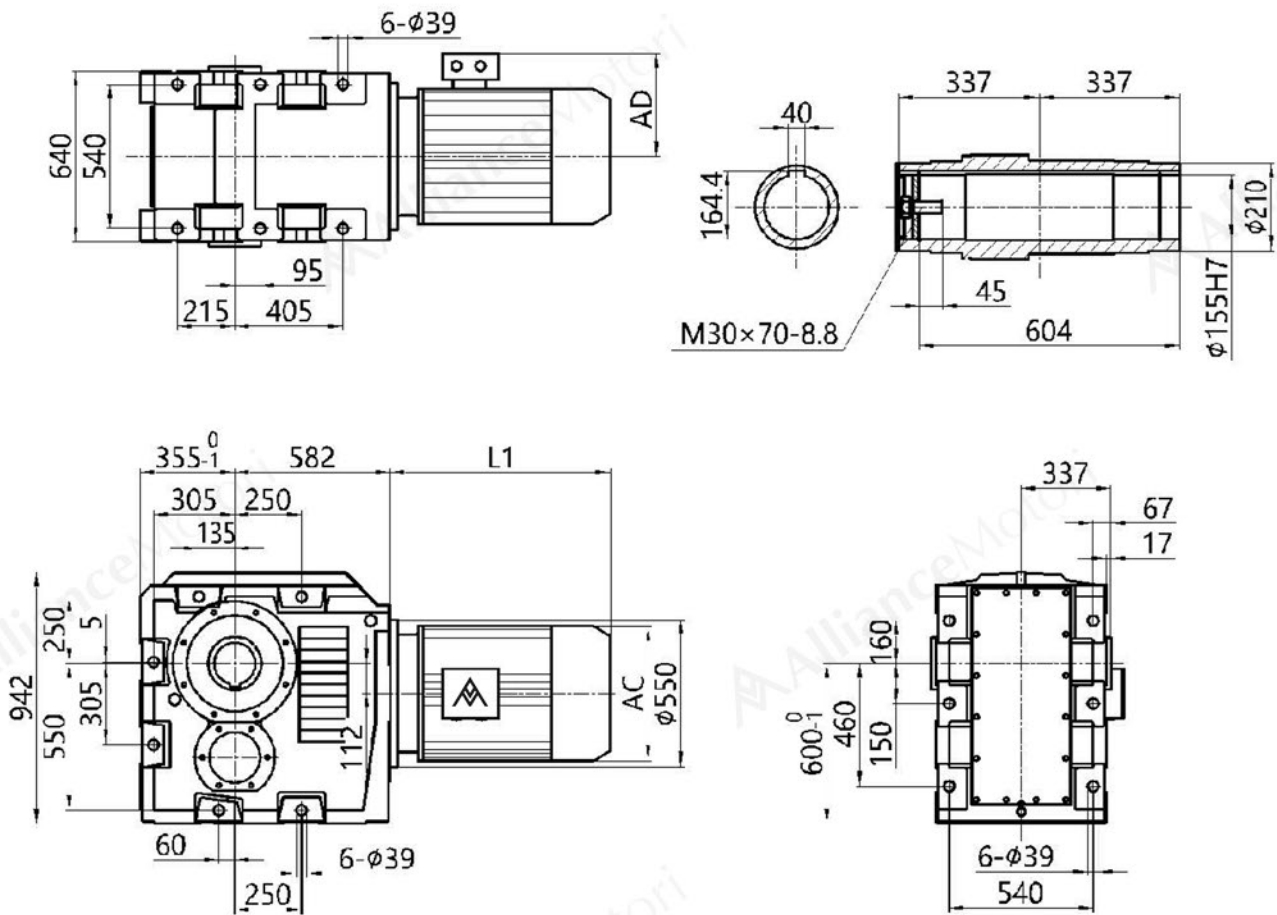


■ Mounting Dimensional Description AKA169



Note: When equipping the user's motor or the special one, the flange is required to be connected. (Please see appendix D)
 Note: See Appendix A-2 and A-3 for dimensions of direct-connected motors

■ Mounting Dimensional Description AKA189



Note: When equipping the user's motor or the special one, the flange is required to be connected. (Please see appendix D)
 Note: See Appendix A-2 and A-3 for dimensions of direct-connected motors