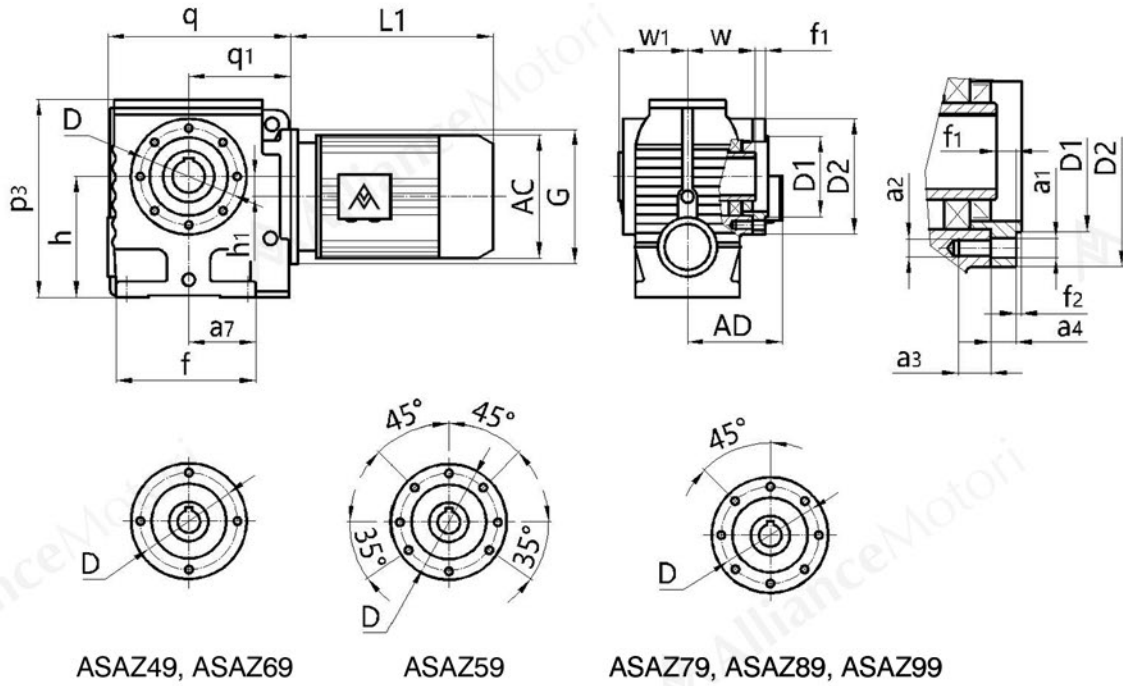
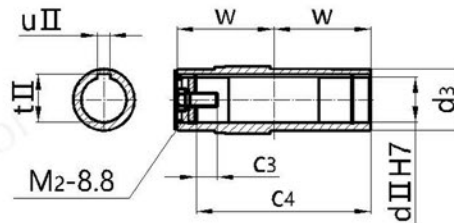
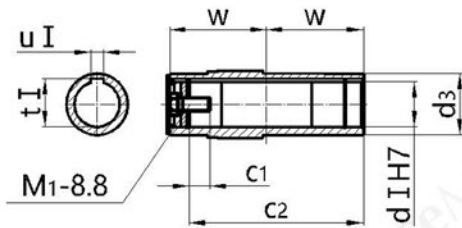


■ Mounting Dimensional Description ASAZ49-99



(The bigger diameter of bore)

(The smaller diameter of bore)



Type Size	d I	d ₃	M ₁	q	h	p ₃	a ₇	a ₂	a ₃	a ₄	D1	w	t I	t II	c ₁	c ₃	Motor Size																			
	d II	G	M ₂	q ₁	h ₁	f	a ₇	f ₂	f ₁	a ₁	D	D2	w ₁	u I	u II	c ₂	c ₄	AC	AD	L1																
ASAZ49	Φ30	Φ45	M10×25	175	100 ^{-0.5}	181	67	M8	14	11	Φ95j6	60	33.3	28.3	17	17	Please see appendix A-2 and A-3																			
	Φ25	Φ120	M10×25	96	8	127	3	8.5	Φ9	Φ115	Φ130	63	8	8	103.7	103.7																				
ASAZ59	Φ35	Φ50	M12×30	191	112 ^{-0.5}	191	73	M8	15	11	Φ80j6	75	38.3	33.3	22	17					Please see appendix A-2 and A-3															
	Φ30	Φ120	M10×25	107	20	146	3	8	Φ9	Φ102	Φ120	78	10	8	132	132																				
ASAZ69	Φ45	Φ65	M16×40	246	140 ^{-0.5}	238	95.5	M12	20	13	Φ105j6	84	48.8	43.3	29	29									Please see appendix A-2 and A-3											
	Φ40	Φ160	M16×40	135	22	182	3.5	9.5	Φ13	Φ130	Φ155	87	14	12	144	144																				
ASAZ79	Φ60	Φ80	M20×50	292	180 ^{-0.5}	304	104	/	/	18.5	Φ125j6	105	64.4	53.8	37	32													Please see appendix A-2 and A-3							
	Φ50	Φ200	M16×45	162	34	204	4	14.5	M12	Φ155	Φ178	108	18	14	183	183																				
ASAZ89	Φ70	Φ95	M20×50	344	225 ^{-0.5}	372	125	/	/	23.5	Φ150j6	125	74.9	64.4	34	36																	Please see appendix A-2 and A-3			
	Φ60	Φ250	M20×50	190	37.5	260	5	18.5	M16	Φ180	Φ215	128	20	18	220	220																				
ASAZ99	Φ90	Φ120	M24×60	425	280 ^{-1.0}	460	140	/	/	23.5	Φ180j6	145	95.4	74.9	41	34	Please see appendix A-2 and A-3																			
	Φ70	Φ300	M20×50	240	52	301	5	18.5	M16	Φ220	Φ260	149	25	20	260	260																				

Note:the dimensions don't include the height of the breathe valve.the height of the breathe valve is 17.

Note:When equipping the user's motor or the special one, the flange is required to be connected. (Please see appendix D)