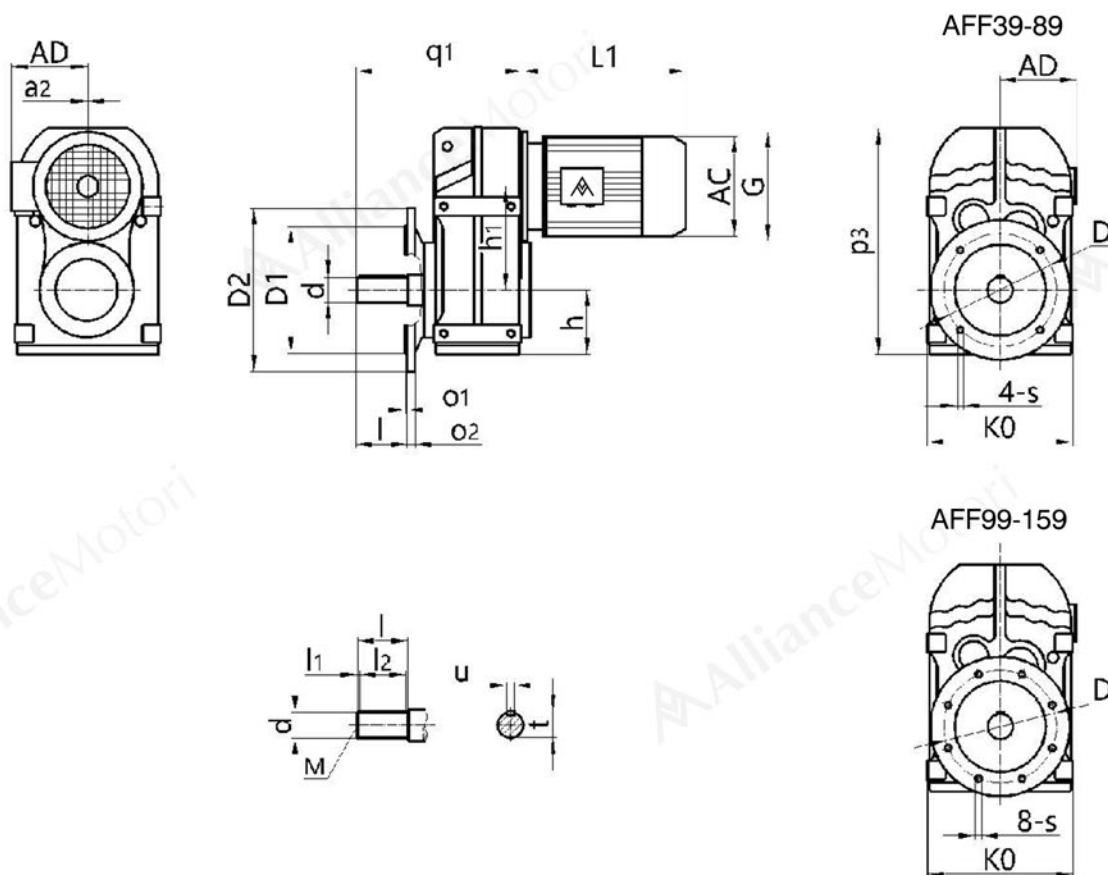


Mounting Dimensional Description
AFF39-159



Type Size	q_1 s	o_2 D	o_1 K0	d u	D1 t	D2 l ₁	h ₁ l ₂	h l	p_3 M	G a ₂	Motor Size			
											AC	AD	L1	
AFF39	184 Φ9	10 Φ130	3.5 165	Φ25k6 8	Φ110j6 28	Φ160 5	112 40	77 50	256 M10	Φ120 /	Please see appendix A-2 and A-3			
AFF49	218 Φ11	12 Φ165	3.5 180	Φ30k6 8	Φ130j6 33	Φ200 3.5	128.1 50	80 60	276 M10	Φ120 /				
AFF59	243.5 Φ13.5	15 Φ215	4 200	Φ35k6 10	Φ180j6 38	Φ250 7	136 56	93 70	321 M12	Φ160 /				
AFF69	264 Φ13.5	15 Φ215	4 212	Φ40k6 12	Φ180j6 43	Φ250 5	159.5 70	97 80	348 M16	Φ160 /				
AFF79	330 Φ13.5	16 Φ265	4 270	Φ50k6 14	Φ230j6 53.5	Φ300 10	200 80	122 100	430 M16	Φ200 /				
AFF89	374 Φ17.5	18 Φ300	5 330	Φ60m6 18	Φ250h6 64	Φ350 5	246.7 110	150 120	534 M20	Φ250 /				
AFF99	456 Φ17.5	22 Φ400	5 400	Φ70m6 20	Φ350h6 74.5	Φ450 7.5	285 125	180 140	630 M20	Φ300 /				
AFF109	523 Φ17.5	22 Φ400	5 450	Φ90m6 25	Φ350h6 95	Φ450 5	332.4 160	201 170	723 M24	Φ350 /				
AFF129	634 Φ17.5	25 Φ500	5 530	Φ110m6 28	Φ450h6 116	Φ550 15	382.6 180	236 210	861 M24	Φ450 10				
AFF159	725 Φ22	28 Φ600	6 660	Φ120m6 32	Φ550h6 127	Φ660 5	447 200	286 210	1021 M24	Φ550 15				

Note:the dimensions don't include the height of the breathe valve.the height of the breathe valve is 17.

Note:When equipping the user's motor or the special one, the flange is required to connected. (Please see appendix D)