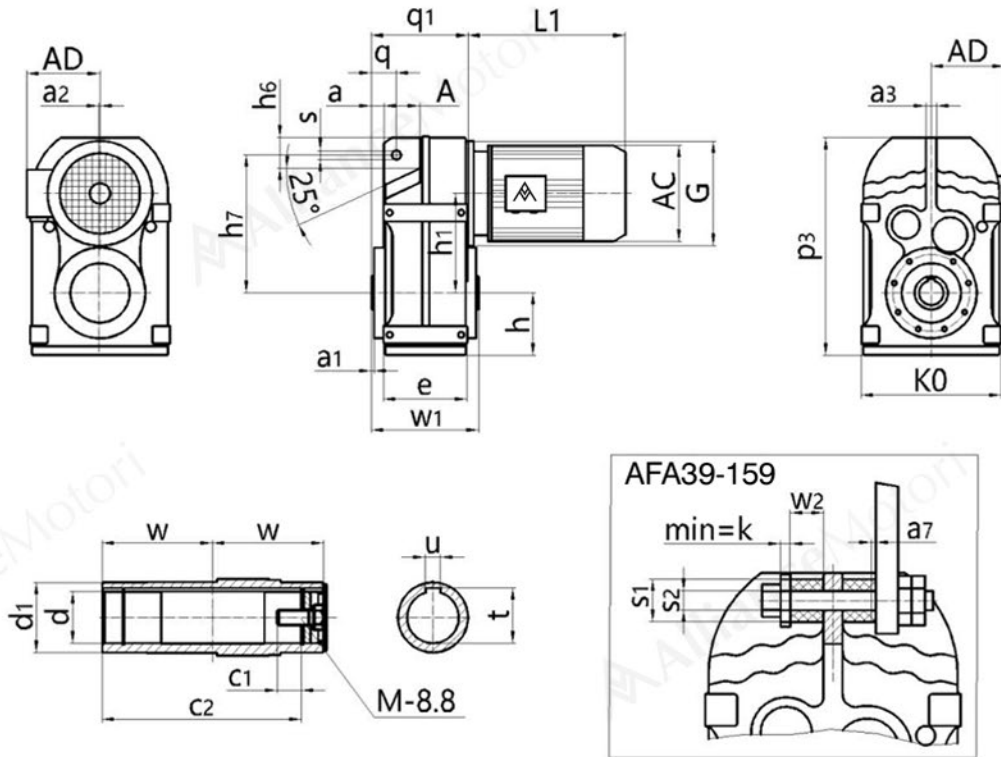


■ Mounting Dimensional Description  
AFA39-159



Type Size	q1	q	A	a	h7	h6	h1	h	a1	e	w1	p3	a3	K0	c2	Motor Size			
	a2	d	d1	w	c1	s	u	t	s1	s2	k	w2	a7	G	M	AC	AD	L1	
AFA39	110	31.5	46	15	158	30	112	77	2.5	95	123	256	12	165	105	Please see appendix A-2 and A-3			
	/	Φ30H7	Φ45	60	17	Φ14	8	33.3	Φ40	Φ12.5 <sup>+0.5</sup>	5	20	1	Φ120	M10×25				
AFA49	133	32	64	12	170	22	128.1	80	3	109	153	276	12	180	132				
	/	Φ35H7	Φ50	75	22	Φ14	10	38.3	Φ40	Φ12.5 <sup>+0.5</sup>	5	20	1.8	Φ120	M12×30				
AFA59	150	40.5	60	19.5	198	31	136	93	3	127	170	321	14	200	142				
	/	Φ40H7	Φ55	83	29	Φ14	12	43.3	Φ40	Φ12.5 <sup>+0.5</sup>	5	20	2.4	Φ160	M16×40				
AFA36	161	41	65	21	218	40	159.5	97	3.5	131	184	348	16	212	156				
	/	Φ40H7	Φ55	90	29	Φ14	12	43.3	Φ40	Φ12.5 <sup>+0.5</sup>	5	20	3	Φ160	M16×40				
AFA79	193	50	69	26.5	278	49	200	122	4	170	213	430	20	270	183				
	/	Φ50H7	Φ70	105	32	Φ22	14	53.8	Φ60	Φ21 <sup>+0.5</sup>	10	30	3.2	Φ200	M16×45				
AFA89	224	62	79	32	346	57	246.7	150	4	195	243	534	26	330	210				
	/	Φ60H7	Φ85	120	36	Φ22	18	64.4	Φ60	Φ21 <sup>+0.5</sup>	10	30	4.5	Φ250	M20×50				
AFA99	274	70	104	32	395	88	285	180	4	240	303	630	30	400	270				
	/	Φ70H7	Φ95	150	34	Φ26	20	74.9	Φ80	Φ25 <sup>+0.5</sup>	12	40	5	Φ300	M20×50				
AFA109	312	88	100	57	485	108	332.4	201	2.5	260	353	720	36	450	313				
	/	Φ90H7	Φ118	175	40	Φ26	25	95.4	Φ80	Φ25 <sup>+0.5</sup>	12	40	6	Φ350	M24×60				
AFA129	373	110	125	66	550	138	382.6	236	2.5	316	413	861	40	530	373				
	10	Φ100H7	Φ135	205	38	Φ33	28	106.4	Φ100	Φ32 <sup>+0.5</sup>	15	60	9	Φ450	M24×60				
AFA159	455	150	140	98	660	170	447	286	3	364	503	1021	45	660	460				
	15	Φ120H7	Φ155	250	36	Φ33	32	127.4	Φ120	Φ32 <sup>+0.5</sup>	15	60	9	Φ550	M24×60				

Note:the dimensions don't include the height of the breathe valve.the height of the breathe valve is 17.

Note:When equipping the user's motor or the special one, the flange is required to connected. (Please see appendix D)