



AllianceMotori
eco-drive

A-YCT Series

■ Variable Speed Motor



A-YCT SERIES

ADJUSTABLE SPEED INDUCTION MOTOR
BY ELECTROMAGNETIC CLUTCH



PRODUCT INFORMATION

A-YCT Series adjustable-speed induction motors by electro magnetic clutch are composed of driving motors, electromagnetic slip coupling and controller. A-YCT series motors are usually used under a constant torque load and are particularly suitable for the use under the load with a decreasing torque such as the centrifugal pump and fan. Main applications of the A-YCT series motors include assembly lines, transfer equipments, plastic injecting machines, printing machines, pumps, fans, wire calendars, drawing machines, etc.

The speed of the A-YCT series motors can be adjusted continuously and steplessly within the specified adjustable speed range with an output of rated torque. When the loading torque is changed during the running of the motor, the exciting current of the coupling can be regulated automatically by the feedback system of the controller rapidly to remain the speed unchanged.

FEATURES

1. Wide range of adjustable speed and stable speed adjustment
2. Adjustable speed controlled
3. Rapid feedback and automatic regulation system, small speed-variation ratio
4. Large start torque and smooth start performance
5. Simple construction, reliable and easy for operation and maintenance
6. Small control power and multi-way to control

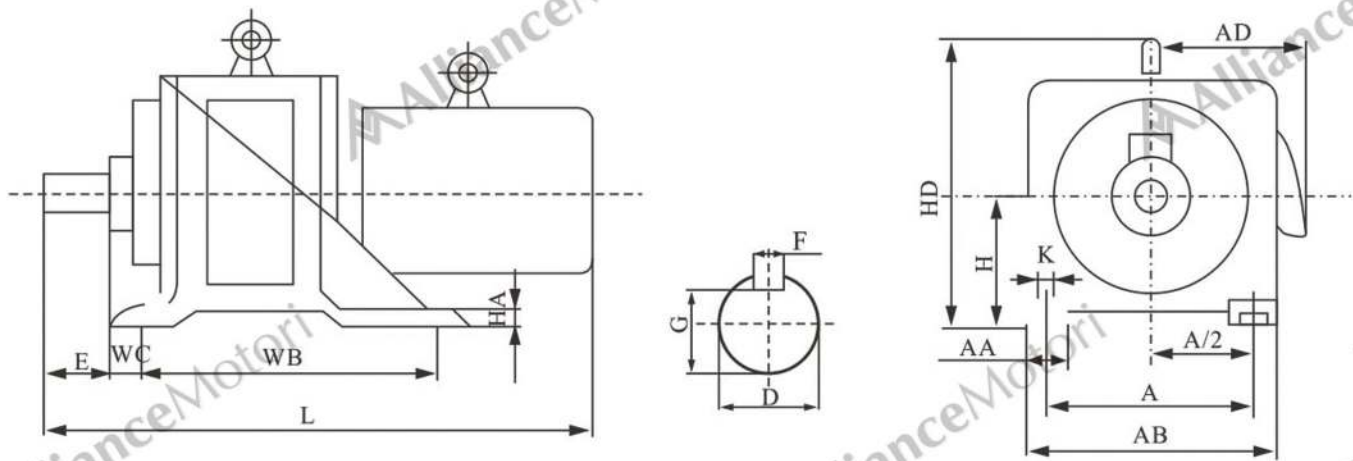
PERFORMANCE PARAMETERS

4-Pole, 1500 Synchronous Speed

Motor Type	Rated Output		Rated Torque	Speed Range	Excitation Voltage	Excitation Current	Noise	Weight
	kW	HP	Nm	Rpm	V	Amp	dB(A)	Kg
YCT-112-4A	0.55	0.75	3.60	1230 - 125	< 90	< 1.3	75	50
YCT-112-4B	0.75	1	4.90	1230 - 125	< 90	< 1.3	75	55
YCT-132-4A	1.1	1.5	7.10	1230 - 125	< 90	< 1.3	75	75
YCT-132-4B	1.5	2	9.70	1230 - 125	< 90	< 1.3	78	77
YCT-160-4A	2.2	3	14.1	1250 - 125	< 90	< 1.5	78	114
YCT-160-4B	3	4	19.2	1250 - 125	< 90	< 1.5	82	117
YCT-180-4A	4	5.5	25.2	1250 - 125	< 90	< 1.5	82	157
YCT-200-4A	5.5	7.5	35.1	1250 - 125	< 90	< 2.0	82	224
YCT-200-4B	7.5	10	47.7	1250 - 125	< 90	< 2.0	86	234
YCT-225-4A	11	15	69.1	1250 - 125	< 90	< 2.5	86	340
YCT-225-4B	15	20	94.3	1250 - 125	< 90	< 2.5	90	360
YCT-250-4A	18.5	25	110.0	1320 - 132	< 90	< 3.0	90	460
YCT-250-4B	22	30	137.0	1320 - 132	< 90	< 3.0	90	500
YCT-280-4A	30	40	189.0	1320 - 132	< 90	< 3.5	97	630
YCT-315-4A	37	50	232.0	1320 - 132	< 90	< 4.5	97	870
YCT-315-4B	45	60	282.0	1320 - 132	< 90	< 4.5	99	910
YCT-355-4A	55	75	344.0	1340 - 440	< 90	< 4.5	99	1300
YCT-355-4B	75	100	469.0	1340 - 600	< 90	< 4.5	103	1550
YCT-355-4C	90	120	564.0	1340 - 600	< 90	< 4.5	103	1650

Note. Data May Change Without Notice

A-YCT SERIES | DIMENSIONS



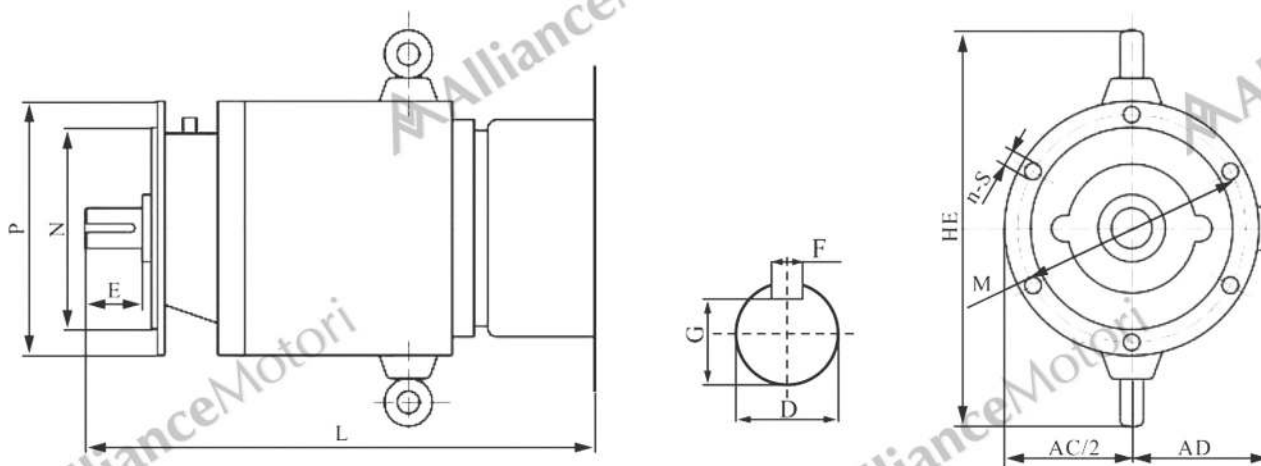
Model	Mounting Dimensions										Overall Dimensions				
	A	A/2	WB	WC	D	E	F	G	H	K	AB	AC	AD	HD	L
112-4A	190	95	210	40	19	40	8	15.5	112	12	240	260	150	280	520
112-4B	190	95	210	40	19	40	8	15.5	112	12	240	260	150	280	520
132-4A	216	108	241	40	24	50	8	20	132	12	285	310	165	330	570
132-4B	216	108	241	40	24	50	8	20	132	12	285	310	165	330	585
160-4A	254	127	267	45	28	60	8	24	160	14.5	330	350	185	385	665
160-4B	254	127	267	45	28	60	8	24	160	14.5	330	350	185	385	665
180-4A	279	139.5	305	45	28	60	8	24	180	14.5	365	385	195	430	700
200-4A	318	159	356	50	38	80	10	33	200	18.5	410	430	235	485	820
200-4B	318	159	356	50	38	80	10	33	200	18.5	410	430	235	485	860
225-4A	356	178	406	56	42	110	12	37	225	18.5	465	485	270	545	980
225-4B	356	178	406	56	42	110	12	37	225	18.5	465	485	270	545	1025
250-4A	406	203	457	63	48	110	14	42.5	250	24	520	540	295	595	1130
250-4B	406	203	457	63	48	110	14	42.5	250	24	520	540	295	595	1170
280-4A	457	228.5	508	70	55	110	16	49	280	24	575	595	320	665	1280
315-4A	508	254	560	89	60	140	18	53	315	28	645	670	345	770	1400
315-4B	508	254	560	89	60	140	18	53	315	28	645	670	345	770	1425
355-4A	610	305	630	108	65	140	18	58	355	28	755	780	390	890	1550
355-4B	610	305	630	108	75	140	20	67.5	355	28	755	780	420	890	1630
355-4C	610	305	630	108	75	140	20	67.5	355	28	755	780	420	890	1680

Note. Data May Change Without Notice

DIMENSIONS MOUNT

A-YCT SERIES

DIMENSIONS | A-YCT SERIES



Model	Mounting Dimensions											Overall Dimensions			
	D	E	F	G	M	N	P	T	R	S	n	AD	AC/2	HD	L
112-4A	19	40	6	15.5	165	130	200	3.5	0	12	4	150	112	320	540
112-4B	19	40	6	15.5	165	130	200	3.5	0	12	4	150	112	320	540
132-4A	24	50	8	20	165	130	200	3.5	0	12	4	158	132	390	570
132-4B	24	50	8	20	165	130	200	3.5	0	12	4	158	132	390	595
160-4A	28	60	8	24	215	180	250	4	0	15	4	185	160	425	645
160-4B	28	60	8	24	215	180	250	4	0	15	4	185	160	425	665
180-4A	28	60	8	24	215	180	250	4	0	15	4	188	180	480	685
200-4A	38	80	10	33	265	230	300	5	0	19	8	230	200	530	805
200-4B	38	80	10	33	265	230	300	5	0	19	8	230	200	530	845
225-4A	42	110	12	37	300	250	350	5	0	19	8	255	225	610	965
225-4B	42	110	12	37	300	250	350	5	0	19	8	255	225	610	1010
250-4A	48	110	14	42.5	300	250	350	5	0	19	8	285	250	670	1130
250-4B	48	110	14	42.5	300	250	350	5	0	19	8	285	250	670	1170
280-4A	55	110	16	49	300	500	500	5	0	24	8	320	280	730	1260
315-4A	60	140	18	53	450	550	550	5	0	24	8	345	315	815	1400
315-4B	60	140	18	53	500	550	550	5	0	24	8	345	315	815	1425
355-4A	65	140	18	58	660	800	800	6	0	24	8	385	355	1030	1500
355-4B	75	140	20	67.5	740	800	800	6	0	24	8	410	355	1030	1630
355-4C	75	140	20	67.5	660	800	800	6	0	24	8	410	355	1030	1660

Note. Data May Change Without Notice



www.alliancemotori.com

Authorized Dealer

The information provided in this catalogue contains descriptions or characteristics of performance which in case of actual use do not always apply as described or which may change as a result of further development of the products. An obligation to provide the respective characteristics shall only exist if expressly agreed in the terms of contract. Availability and technical specifications are subject to change without notice.