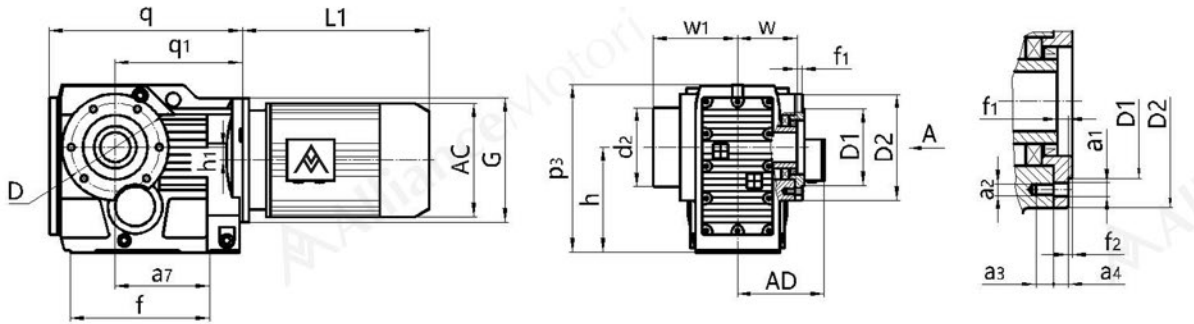
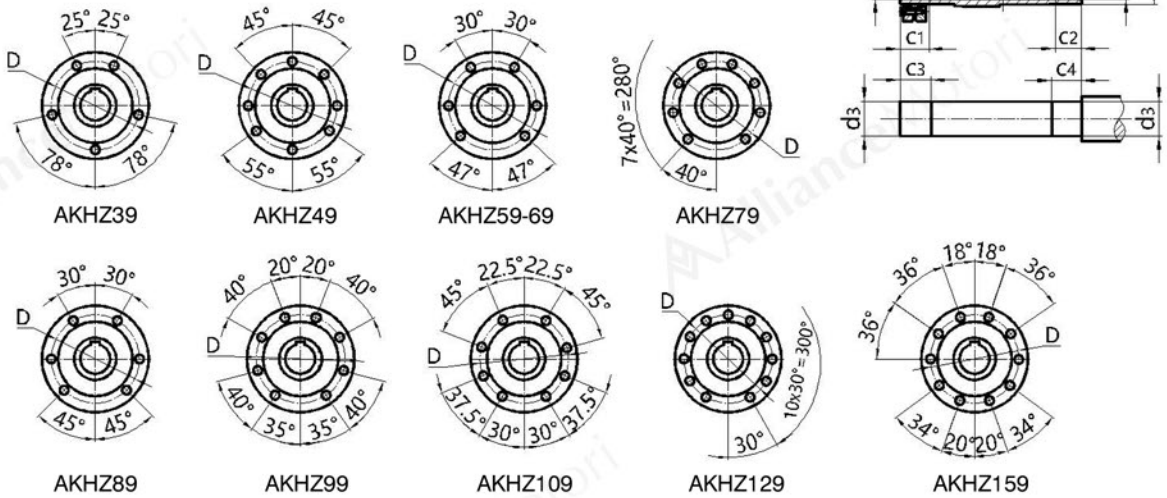


■ Mounting Dimensional Description AKHZ39-159



(Fig.A Mounting Dimension)



Type Size	q q ₁	D1 D2	h h ₁	p ₃ a ₇	f f ₁	w w ₁	G w ₂	d ₂ d ₁	d d ₃	c ₁ c ₂	c ₃ c ₄	a ₃ a ₄	f ₂ a ₂	a ₁ D	Motor Size							
															AC	AD	L1					
AKHZ39	210	Φ80j6	100.0.5	164	147	60	Φ120	Φ80	Φ30H7	31	36	12	3	Φ9	Please see appendix A-2 and A-3							
	139	Φ110	8.5	97	9	95	86	Φ45	Φ30h6	20	25	11.5	M8	Φ94								
AKHZ49	243	Φ80j6	112.0.5	185	170	75	Φ160	Φ88	Φ35H7	32	37	12	3	Φ9		Please see appendix A-2 and A-3						
	166	Φ120	7.2	115	8	110	102	Φ50	Φ35h6	20	25	11	M8	Φ102								
AKHZ59	270	Φ105j6	132.0.5	215	182	83	Φ160	Φ102	Φ40H7	26	31	20	3.5	Φ13.5			Please see appendix A-2 and A-3					
	173	Φ155	13.1	120	9	120	112	Φ55	Φ40h6	20	25	12	M12	Φ125								
AKHZ69	275	Φ105j6	140.0.5	226	182	90	Φ160	Φ102	Φ40H7	38	43	20	3.5	Φ13.5				Please see appendix A-2 and A-3				
	179	Φ155	20	125	8.5	126	118	Φ55	Φ40h6	20	25	12	M12	Φ125								
AKHZ79	313	Φ125j6	180.0.5	286	204	105	Φ200	Φ127	Φ50H7	36	41	23	3.5	Φ13.5					Please see appendix A-2 and A-3			
	202	Φ170	31.3	139	10	146	136	Φ70	Φ50h6	30	35	14	M12	Φ142								
AKHZ89	391	Φ155j6	212.0.5	338	280	120	Φ250	Φ159	Φ65H7	41	46	30	4	Φ17.5	Please see appendix A-2 and A-3							
	257	Φ215	25.9	190	11	170	161	Φ85	Φ65h6	40	45	15	M16	Φ178								
AKHZ99	435	Φ180j6	265.1	417	298	150	Φ300	Φ174	Φ75H7	55	60	28	4	Φ17.5		Please see appendix A-2 and A-3						
	277	Φ260	32.3	190	14	206	195	Φ95	Φ75h6	50	55	18	M16	Φ220								
AKHZ109	537	Φ210j6	315.1	500	370	175	Φ350	Φ234	Φ95H7	65	75	32	4	Φ22			Please see appendix A-2 and A-3					
	341	Φ304	52	230	-8	245	230	Φ118	Φ95h6	60	70	22	M20	Φ260								
AKHZ129	615	Φ250h6	375.1	592	440	205	Φ450	Φ250	Φ105H7	85	95	36	5	Φ22				Please see appendix A-2 and A-3				
	390	Φ350	53	275	0	296	280	Φ135	Φ105h6	70	80	30	M20	Φ300								
AKHZ159	706	Φ290h6	450.1	705	480	250	Φ550	Φ287	Φ125H7	90	100	42	5	Φ26					Please see appendix A-2 and A-3			
	426	Φ400	71.7	290	-14	350	330	Φ155	Φ125h6	80	90	28	M24	Φ340								

Note:the dimensions don't include the height of the breathe valve.the height of the breathe valve is 17.

Note:When equipping the user's motor or the special one, the flange is required to be connected. (Please see appendix D)