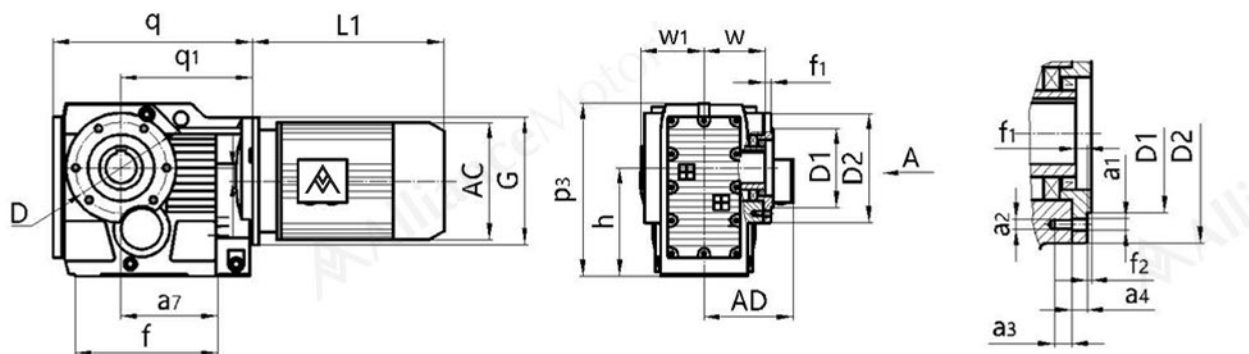
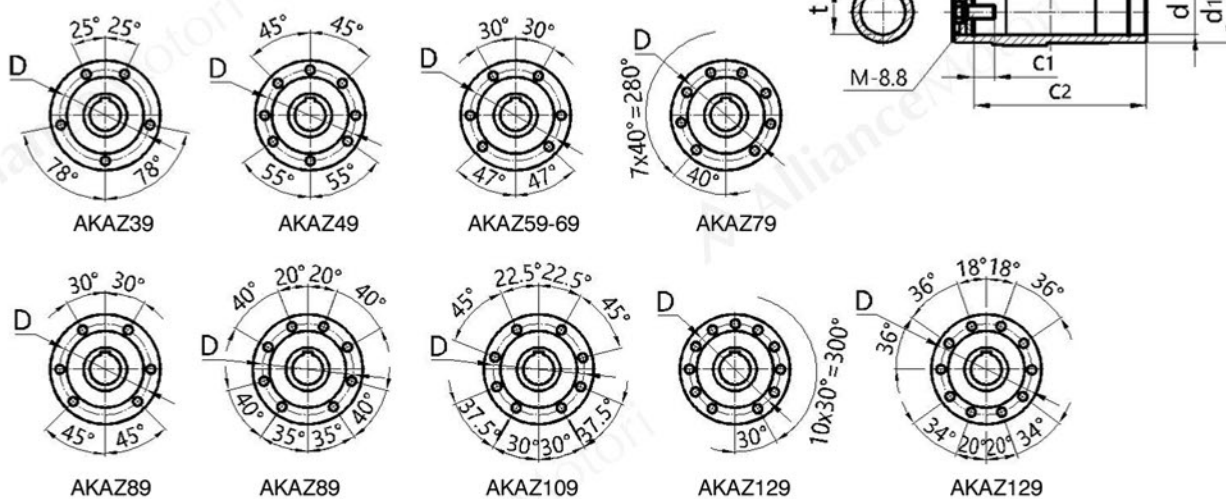


■ Mounting Dimensional Description AKAZ39-159



(Fig.A Mounting Dimension)



Type Size	q q1	D1 D2	h h1	p3 a7	f f1	w w1	d d1	c2 c1	t u	a3 a4	f2 a2	a1 D	G M	Motor Size			
														AC	AD	L1	
AKAZ39	210 139	Φ80j6 Φ110	100-0.5 8.5	164 97	147 9	60 63	Φ30H7 Φ45	105 17	33.3 8	12 11.5	3 M8	Φ9 Φ94	Φ120 M10×25	Please see appendix A-2 and A-3			
AKAZ49	243 166	Φ80j6 Φ120	112-0.5 7.2	185 115	170 8	75 78	Φ35H7 Φ50	132 22	38.3 10	12 11	3 M8	Φ9 Φ102	Φ160 M12×30				
AKAZ59	270 173	Φ105j6 Φ155	132-0.5 13.1	215 120	182 9	83 86	Φ40H7 Φ55	142 29	43.3 12	20 12	3.5 M12	Φ13.5 Φ125	Φ160 M16×40				
AKAZ69	275 179	Φ105j6 Φ155	140-0.5 20	226 125	182 8.5	90 94	Φ40H7 Φ55	156 29	43.3 12	21 12	3.5 M12	Φ13.5 Φ125	Φ160 M16×40				
AKAZ79	313 202	Φ125j6 Φ170	180-0.5 31.3	288 139	204 10	105 108	Φ50H7 Φ70	183 32	53.8 14	23 14	3.5 M12	Φ13.5 Φ142	Φ200 M16×45				
AKAZ89	391 257	Φ155j6 Φ215	212-0.5 25.9	338 190	280 11	120 123	Φ60H7 Φ85	210 36	64.4 18	30 15	4 M16	Φ17.5 Φ178	Φ250 M20×50				
AKAZ99	435 277	Φ180j6 Φ260	265-1 32.3	417 190	298 14	150 153	Φ70H7 Φ95	270 34	74.9 20	28 18	4 M16	Φ17.5 Φ220	Φ300 M20×50				
AKAZ109	537 341	Φ210j6 Φ304	315-1 52	500 230	370 -8	175 178	Φ90H7 Φ118	313 40	95.4 25	32 22	4 M20	Φ22 Φ260	Φ350 M24×60				
AKAZ129	615 390	Φ250h6 Φ350	375-1 53	592 275	440 0	205 208	Φ100H7 Φ135	373 38	106.4 28	36 30	5 M20	Φ22 Φ300	Φ450 M24×60				
AKAZ159	706 426	Φ290h6 Φ400	450-1 71.7	705 290	480 -14	250 253	Φ120H7 Φ155	460 36	127.4 32	42 28	5 M24	Φ26 Φ340	Φ550 M24×60				

Note:the dimensions don't include the height of the breathe valve.the height of the breathe valve is 17.

Note:When equipping the user's motor or the special one, the flange is required to connected. (Please see appendix D)