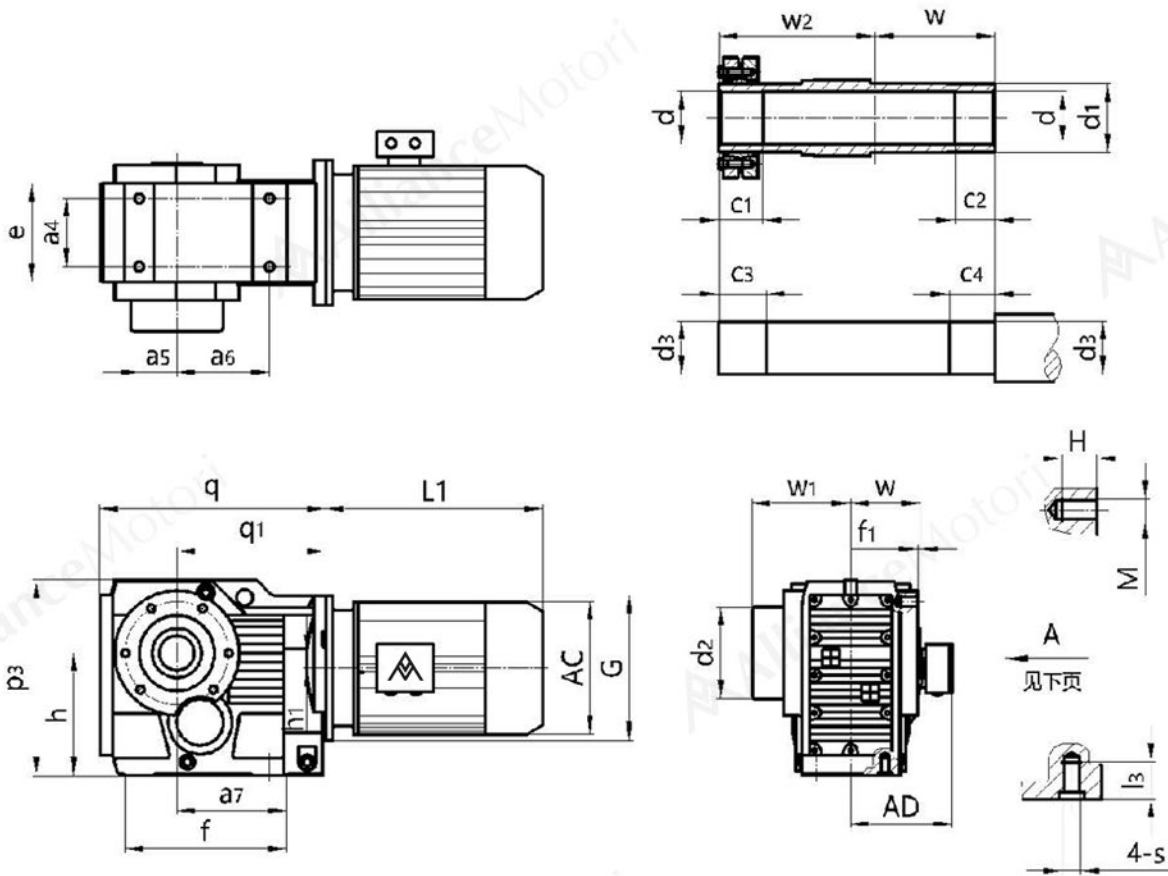


■ Mounting Dimensional Description AKH39-109

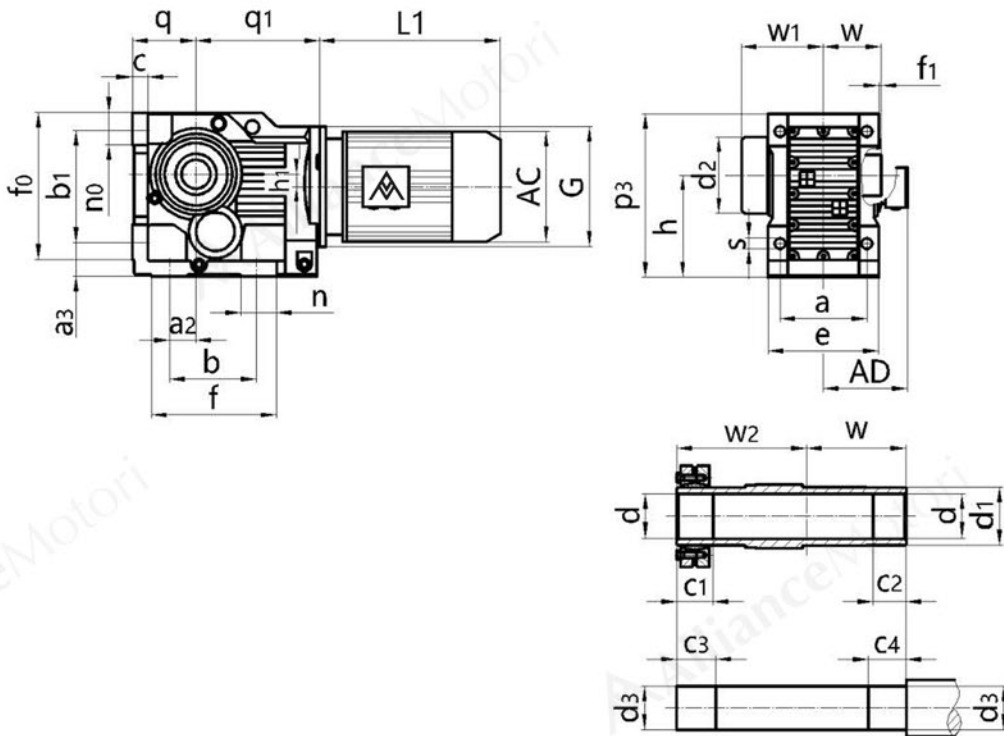


Type Size	q q ₁	h h ₁	e p ₃	a ₄ a ₅	a ₆ a ₇	f f ₁	d ₂ d ₁	d d ₃	w w ₁	w ₂ G	c ₁ c ₂	c ₃ c ₄	s l ₃	M H	Motor Size			
															AC	AD	L1	
AKH39	210	100-0.5	100	60	82	147	Φ80	Φ30H7	60	86	31	36	M10	M8	Please see appendix A-2 and A-3			
	139	8.5	164	35	97	2.5	Φ45	Φ30h6	95	Φ120	20	25	20	12				
AKH49	243	112-0.5	110	70	100	170	Φ88	Φ35H7	75	102	32	37	M10	M8				
	166	7.2	185	40	115	3	Φ50	Φ35h6	110	Φ160	20	25	20	12				
AKH59	269	132-0.5	122	88	105	182	Φ102	Φ40H7	83	112	26	31	M12	M12				
	173	13.1	215	47	120	3	Φ55	Φ40h6	120	Φ160	20	25	25	20				
AKH69	274	140-0.5	130	88	110	182	Φ102	Φ40H7	90	118	38	43	M12	M12				
	179	20	226	42	125	3.5	Φ55	Φ40h6	126	Φ160	20	25	25	20				
AKH79	312	180-0.5	154	102	122	204	Φ127	Φ50H7	105	136	36	41	M16	M12				
	202	31.3	288	48	139	4	Φ70	Φ50h6	146	Φ200	30	35	32	20				
AKH89	390	212-0.5	170	118	160	280	Φ159	Φ65H7	120	161	41	46	M16	M16				
	257	25.9	338	65	190	4	Φ85	Φ65h6	170	Φ250	40	45	32	26				
AKH99	435	265-1	226	160	165	298	Φ174	Φ75H7	150	195	55	60	M20	M16				
	277	32.3	417	83	190	4	Φ95	Φ75h6	206	Φ300	50	55	36	26				
AKH109	537	315-1	266	190	190	370	Φ234	Φ95H7	175	230	65	75	M24	/				
	341	52	500	100	230	2.5	Φ118	Φ95h6	245	Φ350	60	70	44	/				

Note:the dimensions don't include the height of the breathe valve.the height of the breathe valve is 17.

Note:When equipping the user's motor or the special one, the flange is required to connected. (Please see appendix D)

■ Mounting Dimensional Description AKH129-159

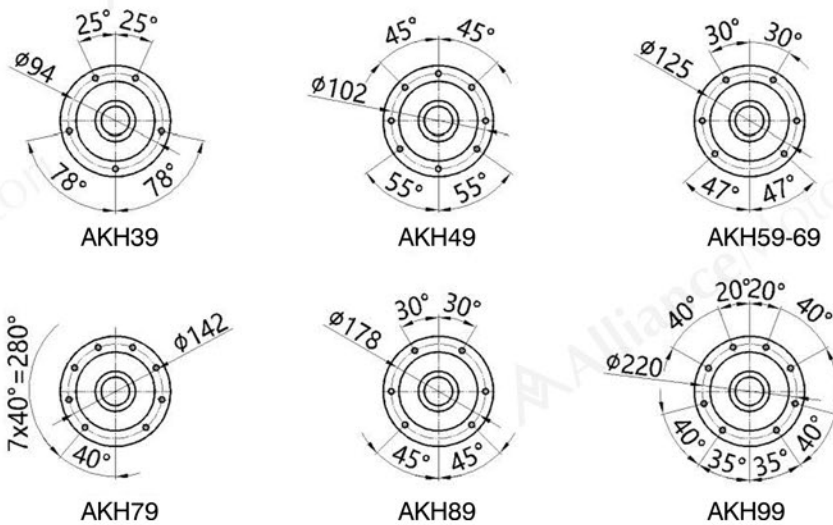


Type Size	q1	c	n0	f0	f	a2	h	a	w	w2	c1	c3	d2	d	h1	Motor Size		
	q	s	b1	a3	n	b	p3	e	w1	f1	c2	c4	d1	d3	G	AC	AD	L1
AKH129	390	45	111	526	440	115	375-1	330	205	280	85	95	Φ250	Φ105H7	53	Please see appendix A-2 and A-3		
	225-0.5	Φ39	420	110	100	350	592	400	296	2.5	70	80	Φ135	Φ105h6	Φ450			
AKH159	426	54	125	634	480	140	450-1	420	250	330	90	100	Φ287	Φ125H7	71.7			
	280-1	Φ39	500	130	100	380	705	500	350	3	80	90	Φ155	Φ125h6	Φ550			

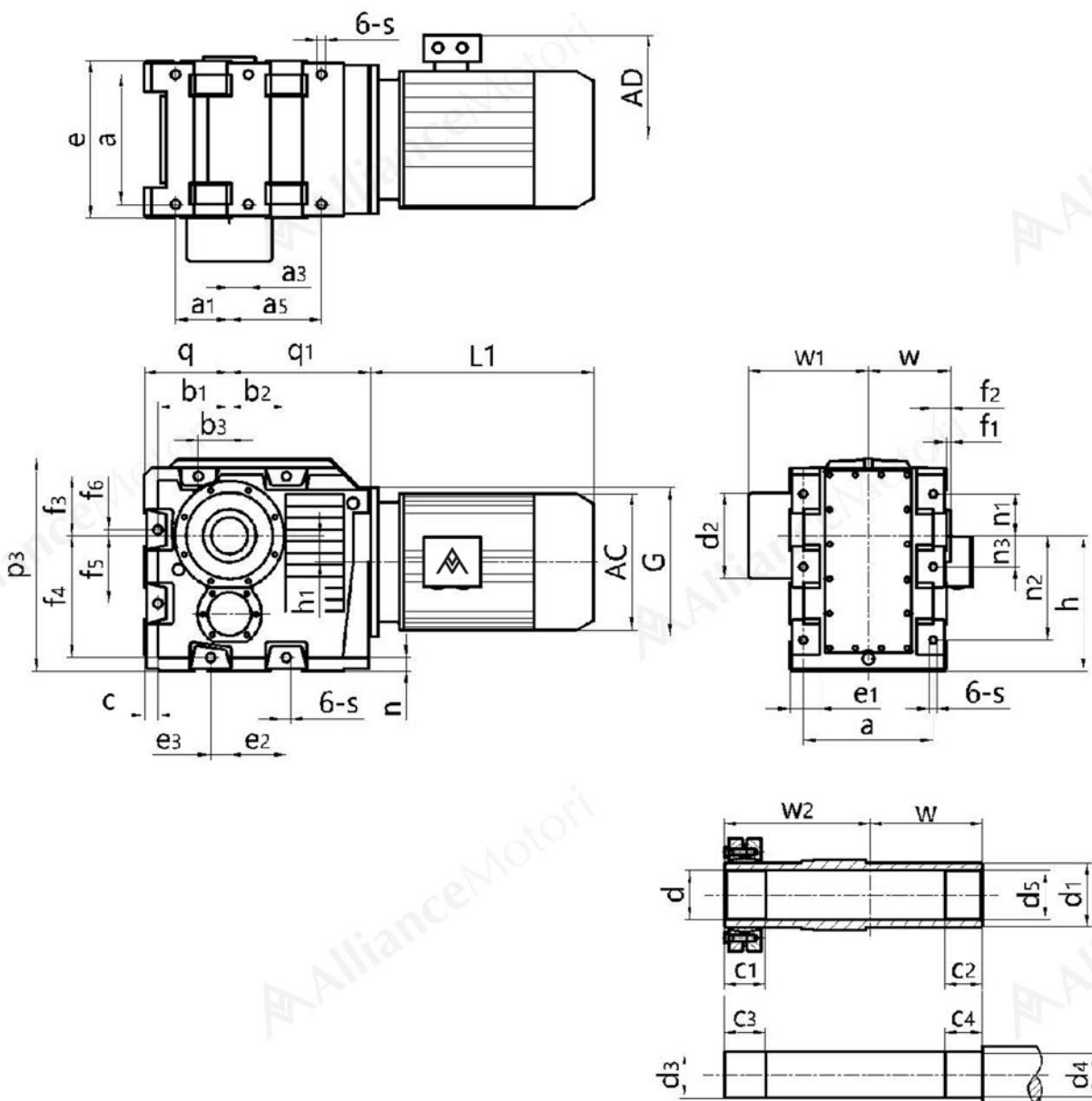
Note: the dimensions don't include the height of the breathe valve. the height of the breathe valve is 17.

Note: When equipping the user's motor or the special one, the flange is required to connected. (Please see appendix D)

Fig.A Mounting Dimension



■ Mounting Dimensional Description AKH169-189



Type size	a_1	p_3	b_1	f_3	f_6	e_2	a	h	n_3	c_1	c_4	w_2	d	d_4	Motor size			
	a_2	q	b_2	f_4	h_1	e_3	f_2	n_1	e	c_2	w	s	d_5	d_1	AC	AD	L1	
	a_3	q_1	b_3	f_5	n	c	f_1	n_2	e_1	c_3	w_1	d_2	d_3	G	Please see appendix A-2 and A-3			
AKH169	200	786	265	220	22	210	480	500-1	115	122	100	423	$\Phi 135H7$	$\Phi 140h6$	Please see appendix A-2 and A-3			
	340	315-1	210	450	97	70	65	155	580	90	305	$\Phi 33$	$\Phi 140H7$	$\Phi 180$				
	70	522	115	250	50	50	15	385	104	130	442	$\Phi 317$	$\Phi 135h6$	$\Phi 550$				
AKH189	215	942	305	250	5	250	540	600-1	150	117	105	455	$\Phi 155H7$	$\Phi 160h6$	Please see appendix A-2 and A-3			
	405	355-1	250	550	112	60	67	160	640	95	337	$\Phi 39$	$\Phi 160H7$	$\Phi 210$				
	95	582	135	305	50	50	17	460	110	130	474	$\Phi 367$	$\Phi 155h6$	$\Phi 550$				

Note:the dimensions don't include the height of the breathe valve.the height of the breathe valve is 17.

Note:When equipping the user's motor or the special one, the flange is required to connected. (Please see appendix D)