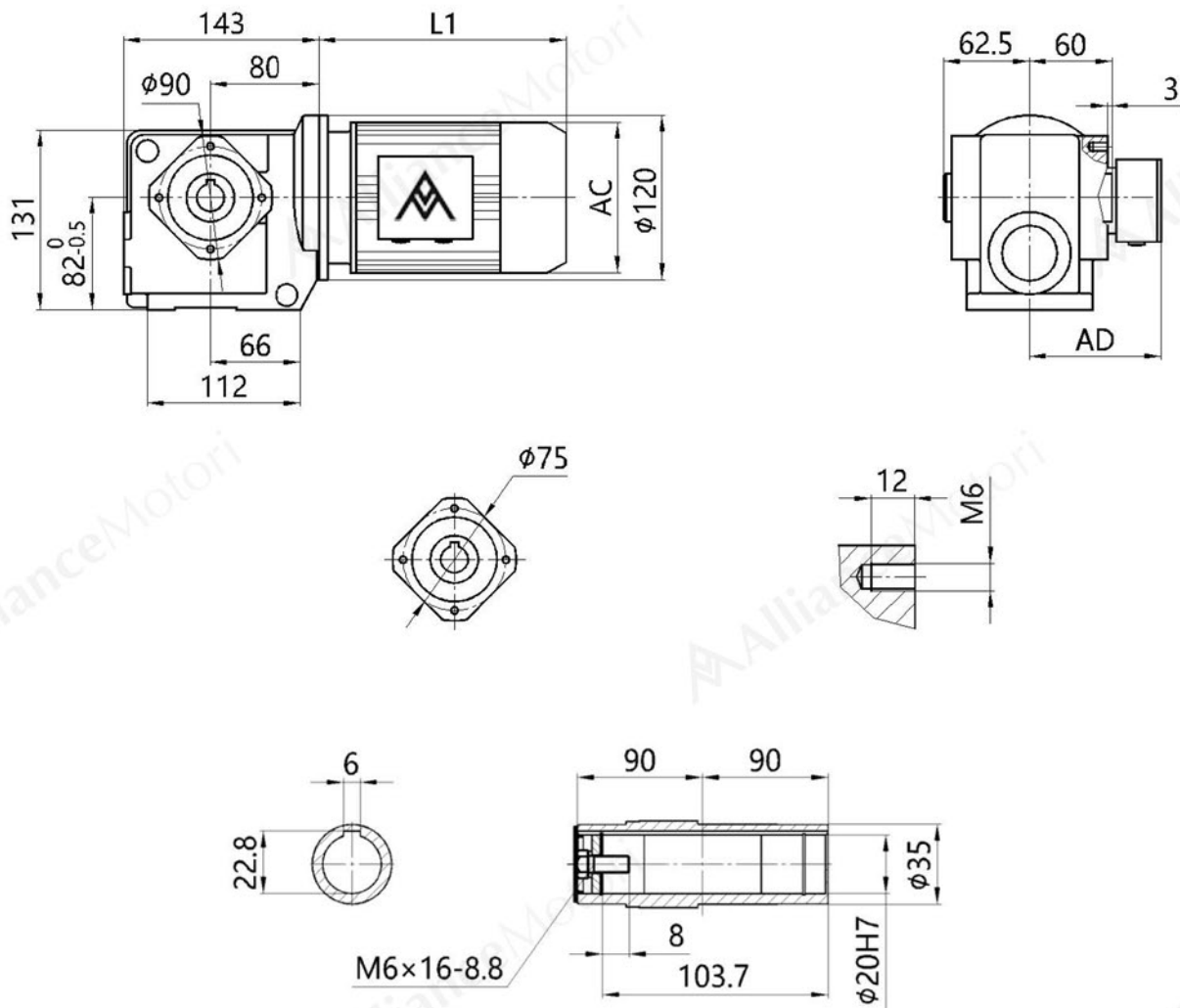


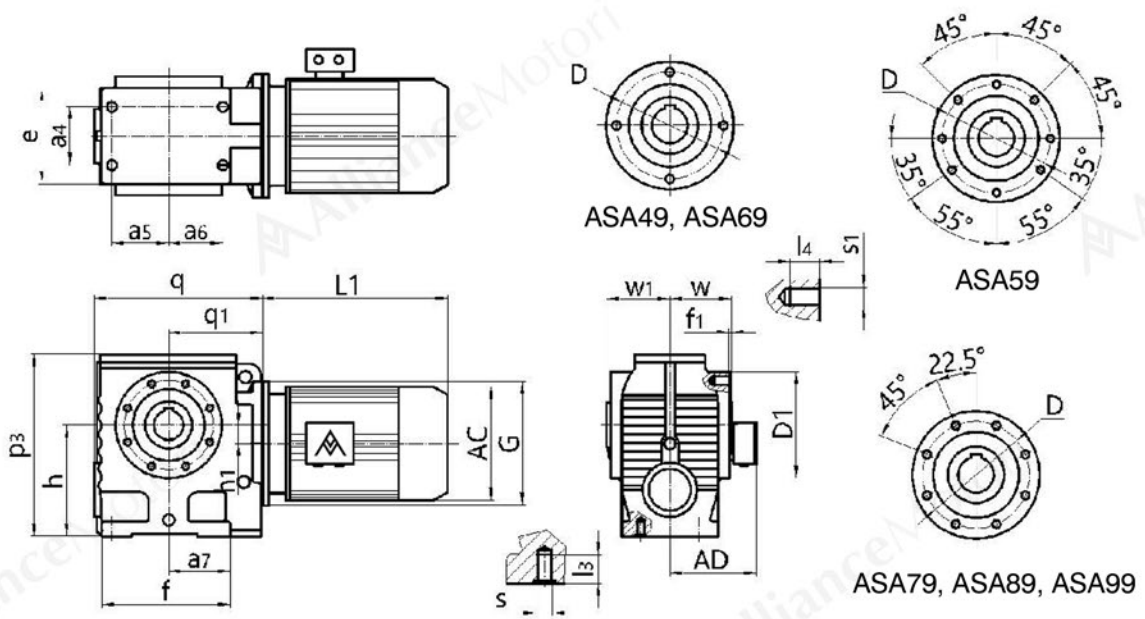
■ Mounting Dimensional Description ASA39



Note: When equipping the user's motor or the special one, the flange is required to be connected. (Please see appendix D)

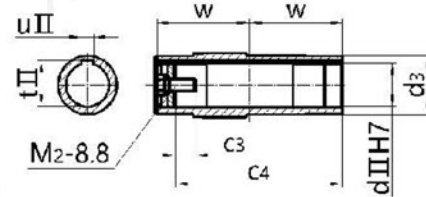
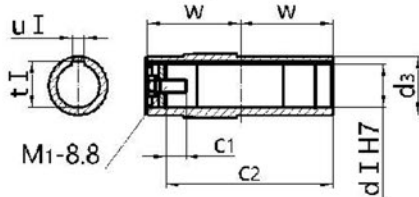
Note: See Appendix A-2 and A-3 for dimensions of direct-connected motors

■ Mounting Dimensional Description ASA49 - ASA99



(The bigger diameter of bore)

(The smaller diameter of bore)

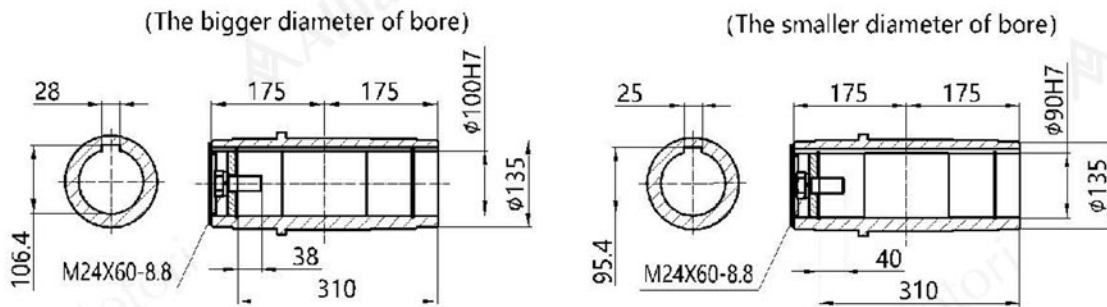
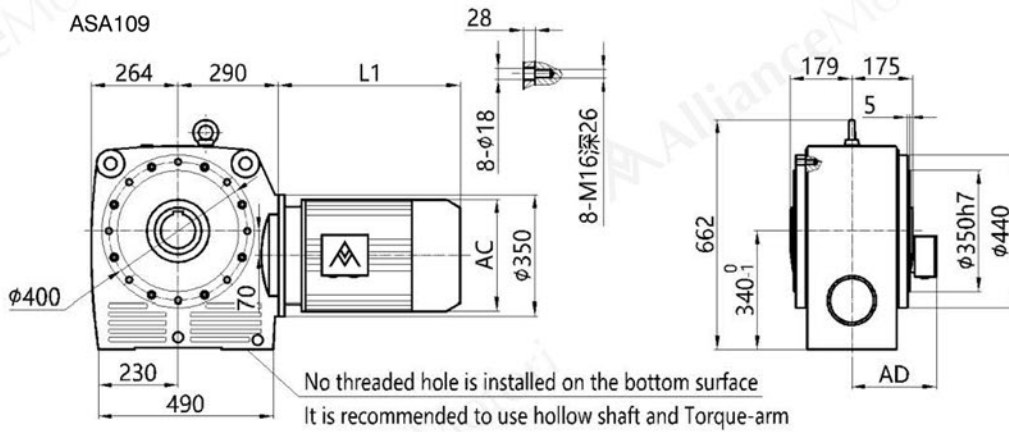
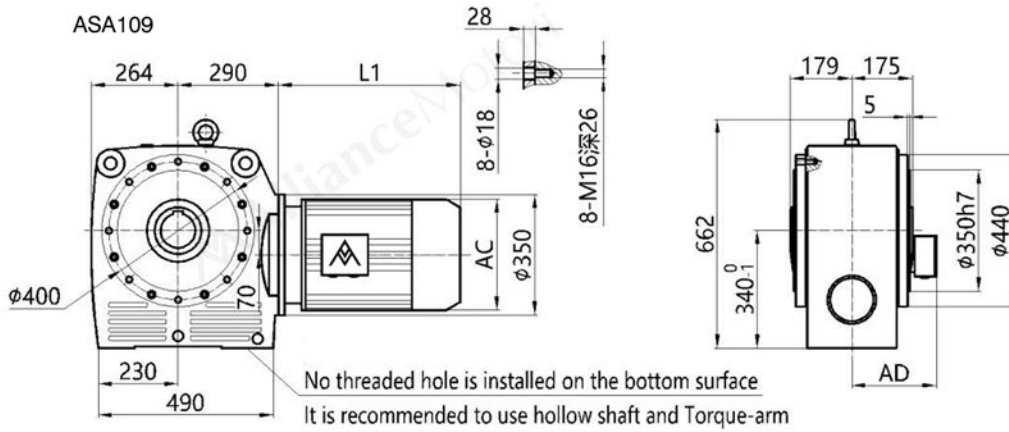


| Type Size | e h ₁ | a ₄ a ₇ | a ₅ f | a ₆ w | s f ₁ | l ₃ D ₁ | s ₁ d ₃ | l ₄ d _I | D u _I | q t _I | q ₁ d _{II} | p ₃ u _{II} | h t _{II} | c ₁ c ₂ | c ₃ c ₄ | M ₁ M ₂ | G w ₁ | Motor Size | | | | | | | | |
|-----------|---------------------|----------------------------------|---------------------|---------------------|---------------------|----------------------------------|----------------------------------|----------------------------------|---------------------|---------------------|-----------------------------------|-----------------------------------|----------------------|----------------------------------|----------------------------------|----------------------------------|---------------------|---------------------------------|----|----|---------------------------------|--|--|---------------------------------|--|--|
| | | | | | | | | | | | | | | | | | | AC | AD | L1 | | | | | | |
| ASA49 | 94 | 60 | 35 | 52 | M10 | 20 | M8 | 14 | Φ115 | 175 | 96 | 181 | 100-0.5 | 17 | 17 | M10×25 | Φ120 | Please see appendix A-2 and A-3 | | | | | | | | |
| | 8 | 67 | 127 | 60 | 2.5 | Φ130 | Φ45 | Φ30 | 8 | 33.3 | Φ25 | 8 | 28.3 | 103.7 | 103.7 | M10×25 | 63 | | | | | | | | | |
| ASA59 | 100 | 60 | 58.5 | 58.5 | M10 | 20 | M8 | 15 | Φ102 | 191 | 107 | 191 | 112-0.5 | 22 | 17 | M12×30 | Φ120 | | | | Please see appendix A-2 and A-3 | | | | | |
| | 20 | 73 | 146 | 75 | 3 | Φ120 | Φ50 | Φ35 | 10 | 38.3 | Φ30 | 8 | 33.3 | 132 | 132 | M10×25 | 78 | | | | | | | | | |
| ASA69 | 130 | 88 | 71.5 | 80.5 | M12 | 25 | M12 | 20 | Φ130 | 246 | 135 | 238 | 140-0.5 | 29 | 29 | M16×40 | Φ160 | | | | | | | Please see appendix A-2 and A-3 | | |
| | 22 | 95.5 | 182 | 84 | 3.5 | Φ155 | Φ65 | Φ45 | 14 | 48.8 | Φ40 | 12 | 43.3 | 144 | 144 | M16×40 | 87 | | | | | | | | | |
| ASA79 | 156 | 102 | 85 | 85 | M16 | 32 | M12 | 21 | Φ155 | 292 | 162 | 304 | 180-0.5 | 37 | 32 | M20×50 | Φ200 | Please see appendix A-2 and A-3 | | | | | | | | |
| | 34 | 104 | 204 | 105 | 4 | Φ178 | Φ80 | Φ60 | 18 | 64.4 | Φ50 | 14 | 53.8 | 183 | 183 | M16×45 | 108 | | | | | | | | | |
| ASA89 | 194 | 118 | 115 | 110 | M16 | 32 | M16 | 28 | Φ180 | 344 | 190 | 372 | 225-0.5 | 34 | 36 | M20×50 | Φ250 | | | | Please see appendix A-2 and A-3 | | | | | |
| | 37.5 | 125 | 260 | 125 | 5 | Φ215 | Φ95 | Φ70 | 20 | 74.9 | Φ60 | 18 | 64.4 | 220 | 220 | M20×50 | 128 | | | | | | | | | |
| ASA99 | 236 | 160 | 135 | 113 | M20 | 37 | M16 | 28 | Φ220 | 425 | 240 | 460 | 280-1 | 41 | 34 | M24×60 | Φ300 | | | | | | | Please see appendix A-2 and A-3 | | |
| | 52 | 140 | 301 | 145 | 5 | Φ260 | Φ120 | Φ90 | 25 | 95.4 | Φ70 | 20 | 74.9 | 260 | 260 | M20×50 | 149 | | | | | | | | | |

Note:the dimensions don't include the height of the breathe valve.the height of the breathe valve is 17.

Note:When equipping the user's motor or the special one, the flange is required to connected. (Please see appendix D)

■ Mounting Dimensional Description ASA109 / ASAF109



Note:When equipping the user's motor or the special one, the flange is required to connected. (Please see appendix D)

Note:See Appendix A-2 and A-3 for dimensions of direct-connected motors