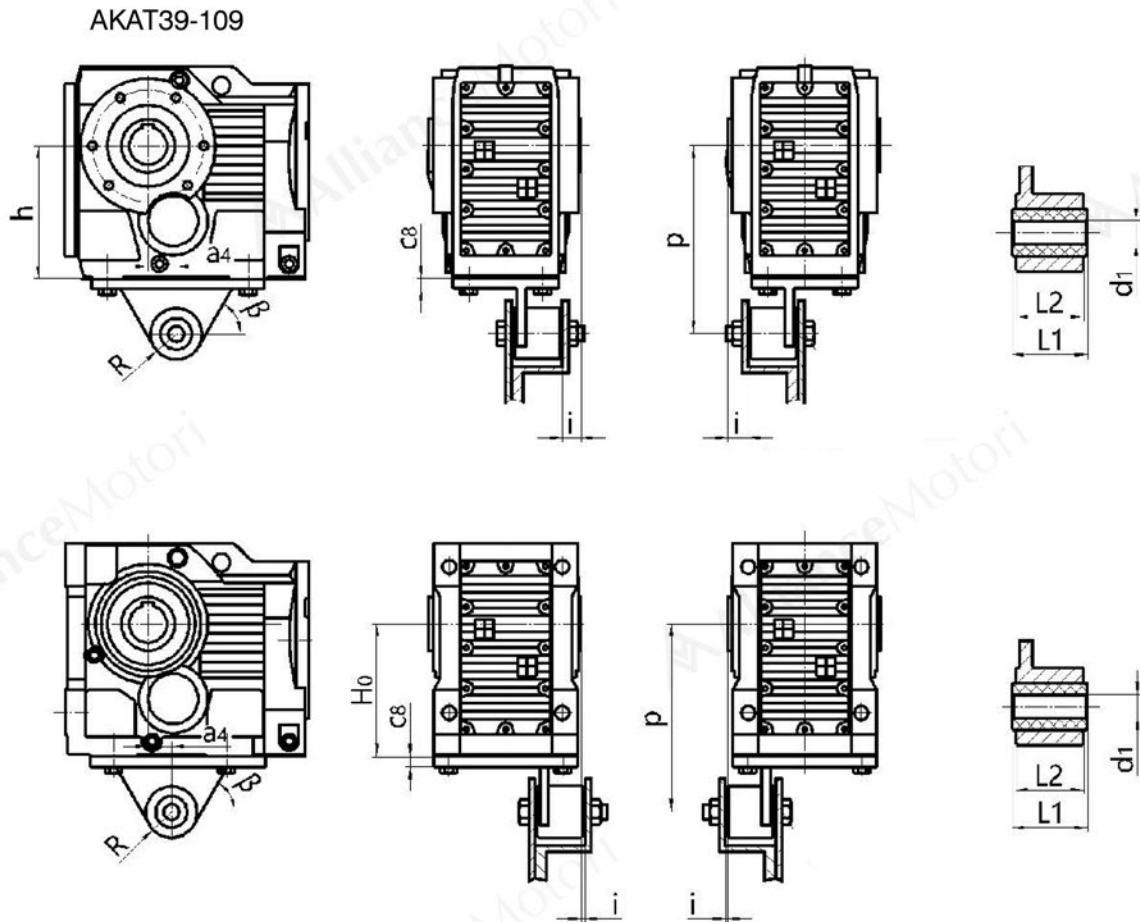


■ Mounting Dimensional Description AKAT39-159



Type Size	a_4	β	c_8	i	P	R	h	d_1	$L1_{-0.3}^0$	$L2$
AKAT39	23.5	60°	10	20	140 ^{+0.2} _{-0.7}	22.5	100 _{-0.5}	10.4 ^{+0.1} _{-0.1}	36	31
AKAT49	30	55°	12	20	160 ^{+0.2} _{-0.7}	22.5	112 _{-0.5}	10.4 ^{+0.1} _{-0.1}	36	31
AKAT59	40	55°	13	18	192 ^{+0.2} _{-0.7}	29	132 _{-0.5}	16.4 ^{+0.08} _{-0.08}	60	54
AKAT69	45	55°	13	25	200 ^{+0.2} _{-0.7}	29	140 _{-0.5}	16.4 ^{+0.08} _{-0.08}	60	54
AKAT79	52.5	64°	14	25	250 ^{+0.2} _{-0.7}	29	180 _{-0.5}	16.4 ^{+0.08} _{-0.08}	60	54
AKAT89	60	60°	16	30	300 ^{+0.2} _{-0.7}	41	212 _{-0.5}	25 ^{+0.08} _{-0.08}	80	72
AKAT99	70	50°	17	40	350 ^{+0.2} _{-1.2}	41	265 ₋₁	25 ^{+0.08} _{-0.08}	100	92
AKAT109	74	55°	20	45	450 ^{+0.5} _{-1.5}	41	315 ₋₁	25 ^{+0.08} _{-0.08}	100	92
AKAT129	60	65°	45	7	550 ^{+0.5} _{-1.5}	70	375 ₋₁	40 ^{+0.08} _{-0.08}	126	110
AKAT159	50	70°	45	2	700 ^{+0.5} _{-1.5}	70	450 ₋₁	40 ^{+0.08} _{-0.08}	126	110

For other dimensions, see the type GKA.

Note: bolts I and nuts II are prepared by customers.