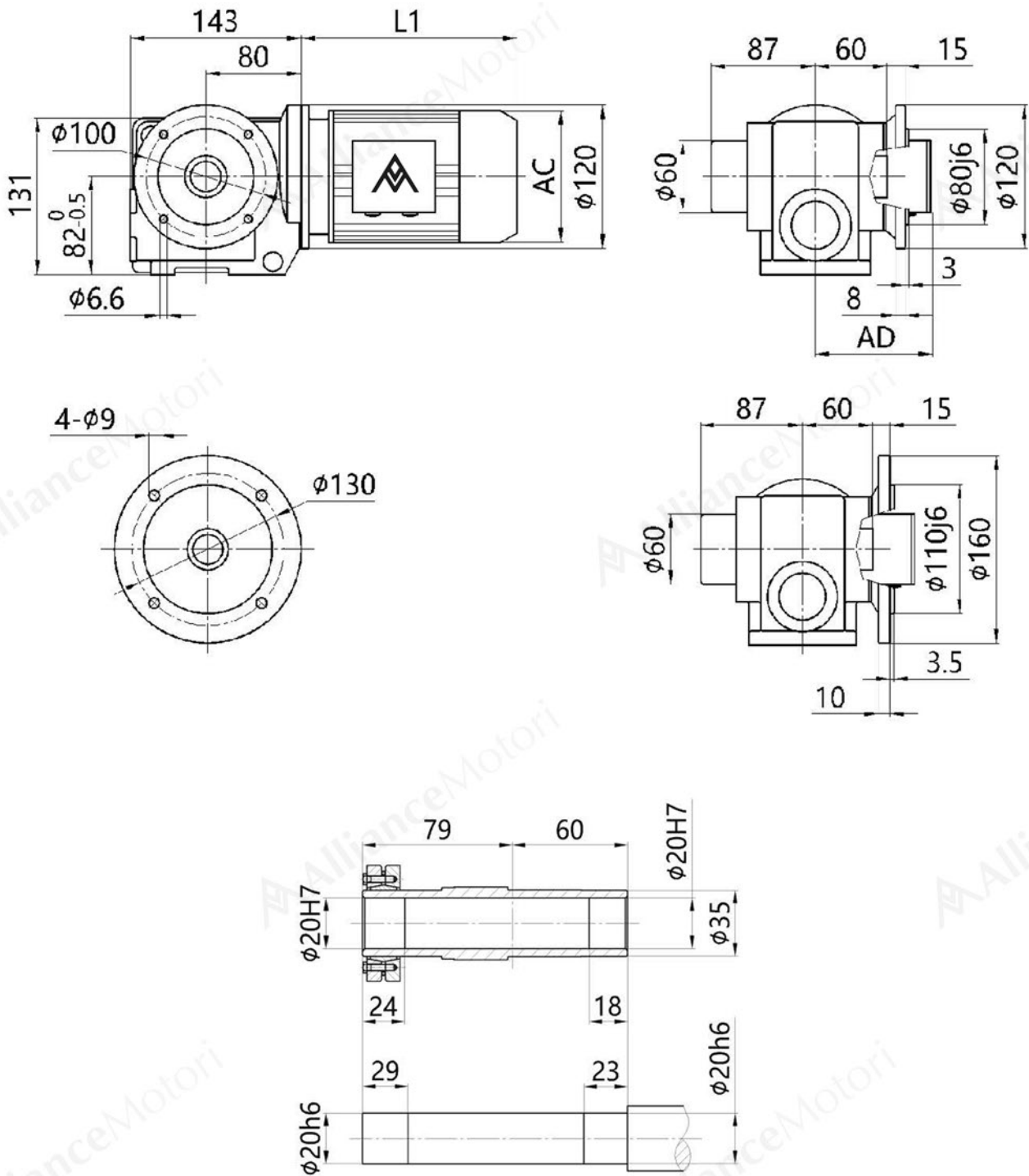


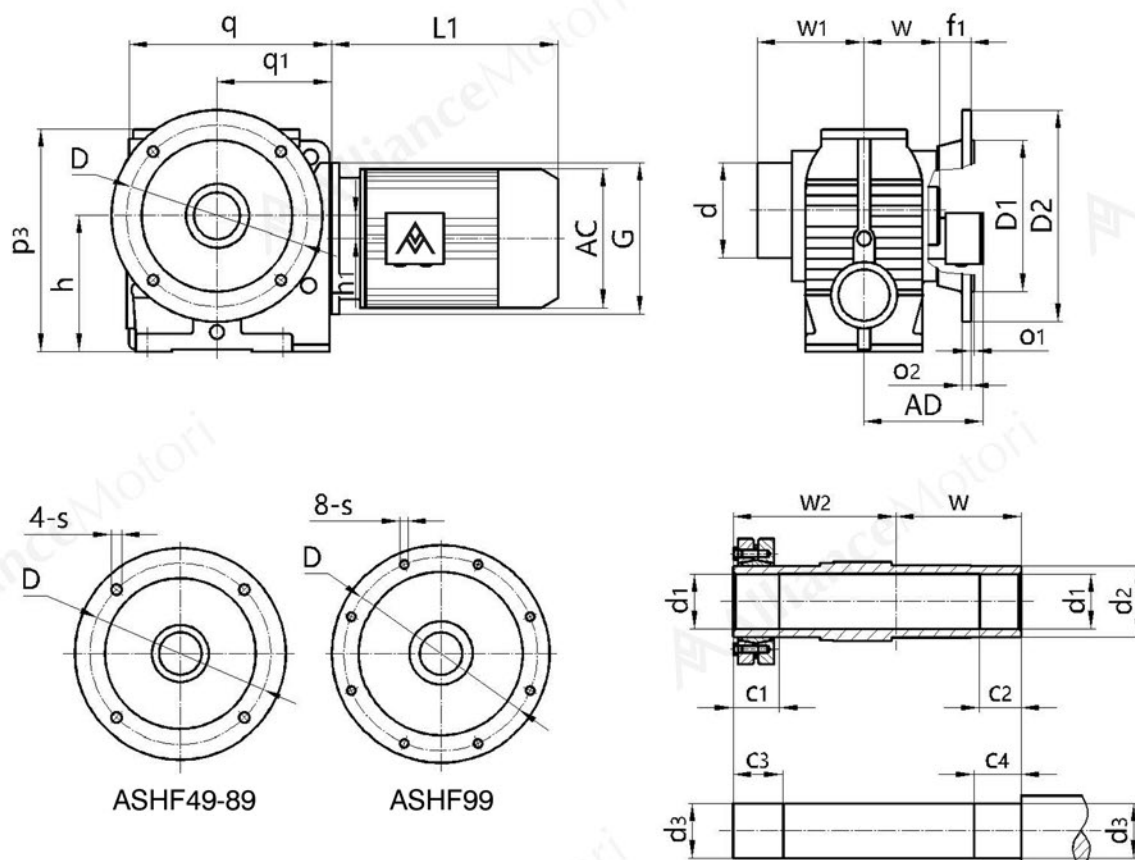
■ Mounting Dimensional Description ASHF39



Note: When equipping the user's motor or the special one, the flange is required to be connected. (Please see appendix D)

Note: See Appendix A-2 and A-3 for dimensions of direct-connected motors

■ Mounting Dimensional Description ASHF49-99



Type Size	q	h	s	o ₂	D ₂	w	w ₂	c ₂	c ₃	d	d ₂	p ₃	Motor Size																							
	q ₁	h ₁	D	o ₁	D ₁	w ₁	c ₁	f ₁	c ₄	d ₁	d ₃	G	AC	AD	L1																					
ASHF49	175	100 _{-0.5}	Φ9	10	Φ160	60	86	20	36	Φ80	Φ45	181	Please see appendix A-2 and A-3																							
	96	8	Φ130	3.5	Φ110j6	95	31	24	25	Φ30H7	Φ30h6	Φ120																								
ASHF59	191	112 _{-0.5}	Φ11	12	Φ200	75	102	20	37	Φ88	Φ50	191					Please see appendix A-2 and A-3																			
	107	20	Φ165	3.5	Φ130j6	110	32	25	25	Φ35H7	Φ35h6	Φ120																								
ASHF69	246	140 _{-0.5}	Φ11	12	Φ200	84	112	20	43	Φ102	Φ65	238									Please see appendix A-2 and A-3															
	135	22	Φ165	3.5	Φ130j6	120	38	42.5	25	Φ40H7	Φ40h6	Φ160																								
ASHF79	292	180 _{-0.5}	Φ13.5	15	Φ250	105	136	30	41	Φ127	Φ80	304													Please see appendix A-2 and A-3											
	162	34	Φ215	4	Φ180j6	146	36	45.5	35	Φ50H7	Φ50h6	Φ200																								
ASHF89	344	225 _{-0.5}	Φ17.5	15	Φ350	125	165	40	45	Φ157	Φ95	372																	Please see appendix A-2 and A-3							
	190	37.5	Φ300	5	Φ250h6	176	40	52.5	45	Φ65H7	Φ65h6	Φ250																								
ASHF99	425	280 _{-1.0}	Φ17.5	17	Φ450	145	190	50	60	Φ171	Φ120	460																					Please see appendix A-2 and A-3			
	240	52	Φ400	5	Φ350h6	204	55	60	55	Φ75H7	Φ75h6	Φ300																								

Note:the dimensions don't include the height of the breathe valve.the height of the breathe valve is 17.

Note:When equipping the user's motor or the special one, the flange is required to connected. (Please see appendix D)