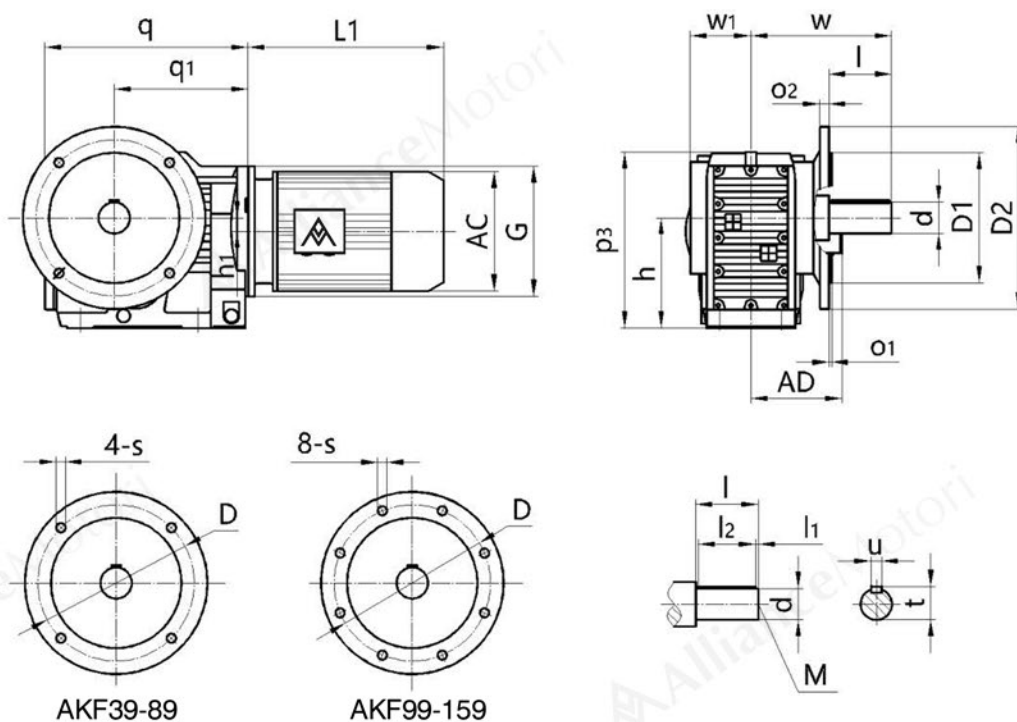


■ Mounting Dimensional Description AKF39-159



Type Size	s o <sub>2</sub>	q w	q <sub>1</sub> w <sub>1</sub>	h <sub>1</sub> l	D l <sub>1</sub>	D1 l <sub>2</sub>	D2 d	h M	p <sub>3</sub> u	o <sub>1</sub> t	G	Motor Size			
												AC	AD	L1	
AKF39	Φ9 10	210 134	139 57.5	8.5 50	Φ130 5	Φ110j6 40	Φ160 Φ25k6	100-0.5 M10	164 8	3.5 28	Φ120	Please see appendix A-2 and A-3			
AKF49	Φ11 12	243 160	166 72	7.2 60	Φ165 3.5	Φ130j6 50	Φ200 Φ30k6	112-0.5 M10	185 8	3.5 33	Φ160				
AKF59	Φ13.5 15	270 176.5	173 80	13.1 70	Φ215 7	Φ180j6 56	Φ250 Φ35k6	132-0.5 M12	215 10	4 38	Φ160				
AKF69	Φ13.5 15	275 193	179 86.5	20 80	Φ215 5	Φ180j6 70	Φ250 Φ40k6	140-0.5 M16	226 12	4 43	Φ160				
AKF79	Φ13.5 16	313 242	202 101	31.3 100	Φ265 10	Φ230j6 80	Φ300 Φ50k6	180-0.5 M16	288 14	4 53.5	Φ200				
AKF89	Φ17.5 18	391 270	257 146	25.9 120	Φ300 5	Φ250h6 110	Φ350 Φ60m6	212-0.5 M20	338 18	5 64	Φ250				
AKF99	Φ17.5 22	435 332	277 176	32.3 140	Φ400 7.5	Φ350h6 125	Φ450 Φ70m6	265-1 M20	417 20	5 74.5	Φ300				
AKF109	Φ17.5 22	537 386	341 181	52 170	Φ400 5	Φ350h6 160	Φ450 Φ90m6	315-1 M24	500 25	5 95	Φ350				
AKF129	Φ17.5 25	615 466	390 203	53 210	Φ500 15	Φ450h6 180	Φ550 Φ110m6	375-1 M24	592 28	5 116	Φ450				
AKF159	Φ22 28	706 520	426 254	71.7 210	Φ600 5	Φ550h6 200	Φ660 Φ120m6	450-1 M24	705 32	6 127	Φ550				

Note:the dimensions don't include the height of the breathe valve.the height of the breathe valve is 17.

Note:When equipping the user's motor or the special one, the flange is required to connected. (Please see appendix D)