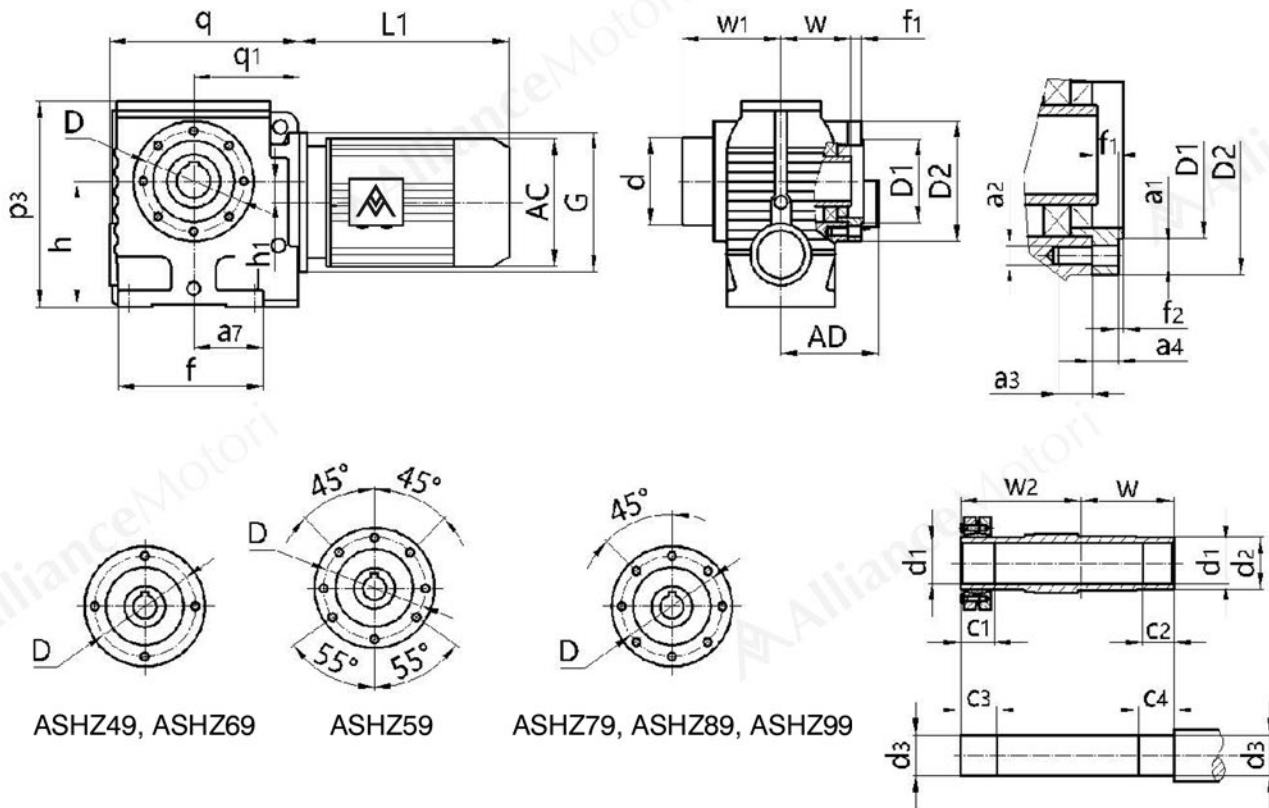


■ Mounting Dimensional Description ASHZ49-99



ASHZ49, ASHZ69

ASHZ59

ASHZ79, ASHZ89, ASHZ99

Type Size	d d <sub>1</sub>	d <sub>3</sub> d <sub>2</sub>	q q <sub>1</sub>	h h <sub>1</sub>	p <sub>3</sub> f	a <sub>7</sub> f <sub>2</sub>	a <sub>2</sub> f <sub>1</sub>	a <sub>3</sub> a <sub>1</sub>	a <sub>4</sub> D	D1 D2	c <sub>1</sub> c <sub>2</sub>	c <sub>3</sub> c <sub>4</sub>	w w <sub>1</sub>	w <sub>2</sub> G	Motor Size					
															AC	AD	L1			
ASHZ49	Φ80	Φ30h6	175	100 <sup>-0.5</sup>	181	67	M8	14	11	Φ95j6	31	36	60	86	Please see appendix A-2 and A-3					
	Φ30H7	Φ45	96	8	127	3	8.5	Φ9	Φ115	Φ130	20	25	95	Φ120						
ASHZ59	Φ88	Φ35h6	191	112 <sup>-0.5</sup>	191	73	M8	15	11	Φ80j6	32	37	75	102		Please see appendix A-2 and A-3				
	Φ35H7	Φ50	107	20	146	3	8	Φ9	Φ102	Φ120	20	25	110	Φ120						
ASHZ69	Φ102	Φ40h6	246	140 <sup>-0.5</sup>	238	95.5	M12	20	13	Φ105j6	38	43	84	112			Please see appendix A-2 and A-3			
	Φ40H7	Φ65	135	22	182	3.5	9.5	Φ13	Φ130	Φ155	20	25	120	Φ160						
ASHZ79	Φ127	Φ50h6	292	180 <sup>-0.5</sup>	304	104	/	/	18.5	Φ125j6	36	41	105	136	Please see appendix A-2 and A-3					
	Φ50H7	Φ80	162	34	204	4	14.5	M12	Φ155	Φ178	30	35	146	Φ200						
ASHZ89	Φ157	Φ65h6	344	225 <sup>-0.5</sup>	372	125	/	/	23.5	Φ150j6	40	45	125	165		Please see appendix A-2 and A-3				
	Φ65H7	Φ95	190	37.5	260	5	18.5	M16	Φ180	Φ215	40	45	176	Φ250						
ASHZ99	Φ171	Φ75h6	425	280 <sup>-1.0</sup>	460	140	/	/	23.5	Φ180j6	55	60	145	190			Please see appendix A-2 and A-3			
	Φ75H7	Φ120	240	52	301	5	18.5	M16	Φ220	Φ260	50	55	204	Φ300						

Note:the dimensions don't include the height of the breathe valve.the height of the breathe valve is 17.

Note:When equipping the user's motor or the special one, the flange is required to connected. (Please see appendix D)