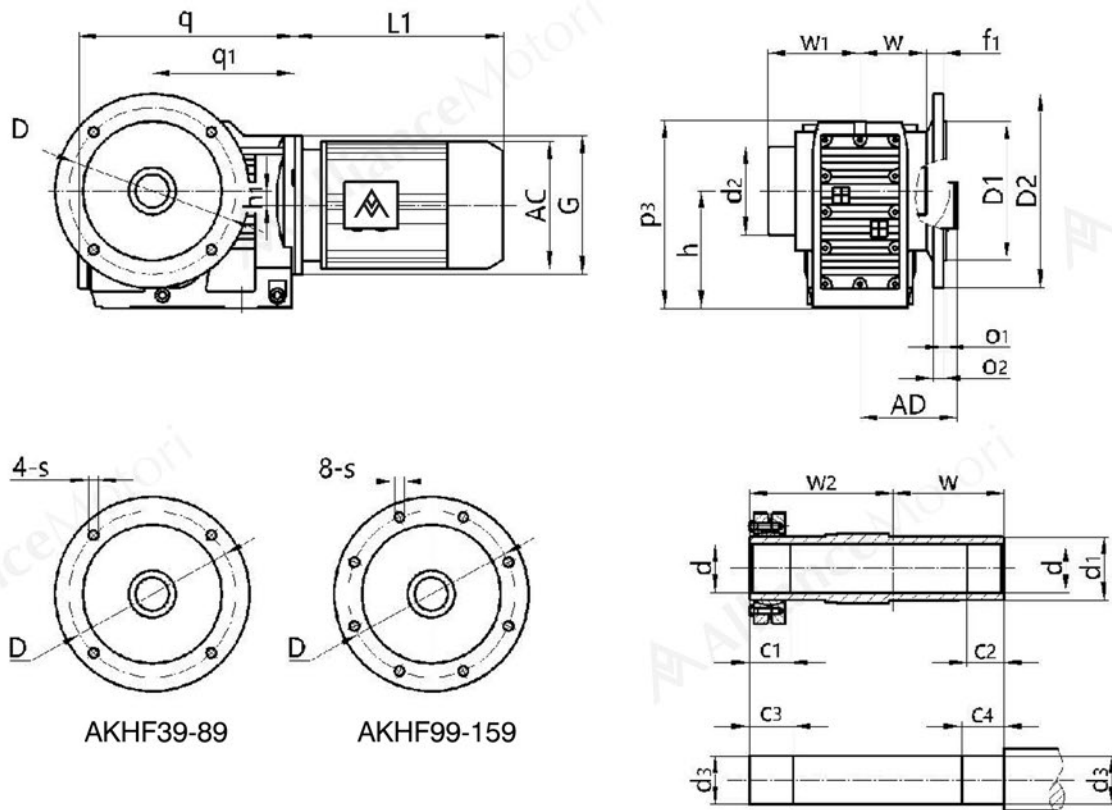


■ Mounting Dimensional Description AKHF39-159



AKHF39-89

AKHF99-159

Type Size	q q <sub>1</sub>	h h <sub>1</sub>	o <sub>1</sub> o <sub>2</sub>	s f <sub>1</sub>	w <sub>1</sub> w	w <sub>2</sub> c <sub>1</sub>	c <sub>2</sub> c <sub>3</sub>	c <sub>4</sub> D	D1 D2	d <sub>1</sub> d <sub>3</sub>	d d <sub>2</sub>	p <sub>3</sub> G	Motor Size								
													AC	AD	L1						
AKHF39	210	100 <sup>-0.5</sup>	3.5	Φ9	95	86	20	25	Φ110j6	Φ45	Φ30H7	164	Please see appendix A-2 and A-3								
	139	8.5	10	24	60	31	36	Φ130	Φ160	Φ30h6	Φ80	Φ120									
AKHF49	243	112 <sup>-0.5</sup>	3.5	Φ11	110	102	20	25	Φ130j6	Φ50	Φ35H7	185		Please see appendix A-2 and A-3							
	166	7.2	12	25	75	32	37	Φ165	Φ200	Φ35h6	Φ88	Φ160									
AKHF59	270	132 <sup>-0.5</sup>	4	Φ13.5	120	112	20	25	Φ180j6	Φ55	Φ40H7	215			Please see appendix A-2 and A-3						
	173	13.1	15	23.5	83	26	31	Φ215	Φ250	Φ40h6	Φ102	Φ160									
AKHF69	275	140 <sup>-0.5</sup>	4	Φ13.5	126	118	20	25	Φ180j6	Φ55	Φ40H7	226				Please see appendix A-2 and A-3					
	179	20	15	23	90	38	43	Φ215	Φ250	Φ40h6	Φ102	Φ160									
AKHF79	313	180 <sup>-0.5</sup>	4	Φ13.5	146	136	30	35	Φ230j6	Φ70	Φ50H7	288					Please see appendix A-2 and A-3				
	202	31.3	16	37	105	36	41	Φ265	Φ300	Φ50h6	Φ127	Φ200									
AKHF89	391	212 <sup>-0.5</sup>	5	Φ17.5	170	161	40	45	Φ250h6	Φ85	Φ65H7	338						Please see appendix A-2 and A-3			
	257	25.9	18	30	120	41	46	Φ300	Φ350	Φ65h6	Φ159	Φ250									
AKHF99	435	265 <sup>-1.0</sup>	5	Φ17.5	206	195	50	55	Φ350h6	Φ95	Φ75H7	417	Please see appendix A-2 and A-3								
	277	32.3	22	41.5	150	55	60	Φ400	Φ450	Φ75h6	Φ174	Φ300									
AKHF39	537	315 <sup>-1</sup>	5	Φ17.5	245	230	60	70	Φ350h6	Φ118	Φ95H7	500		Please see appendix A-2 and A-3							
	341	52	22	41	175	65	75	Φ400	Φ450	Φ95h6	Φ234	Φ350									
AKHF129	615	375 <sup>-1</sup>	5	Φ17.5	296	280	70	80	Φ450h6	Φ135	Φ105H7	592			Please see appendix A-2 and A-3						
	390	53	25	51	205	85	95	Φ500	Φ550	Φ105h6	Φ250	Φ450									
AKHF159	706	450 <sup>-1</sup>	6	Φ22	350	330	80	90	Φ550h6	Φ155	Φ125H7	705				Please see appendix A-2 and A-3					
	426	71.7	28	60	250	90	100	Φ600	Φ660	Φ125h6	Φ287	Φ550									

Note:the dimensions don't include the height of the breathe valve.the height of the breathe valve is 17.

Note:When equipping the user's motor or the special one, the flange is required to connected. (Please see appendix D)