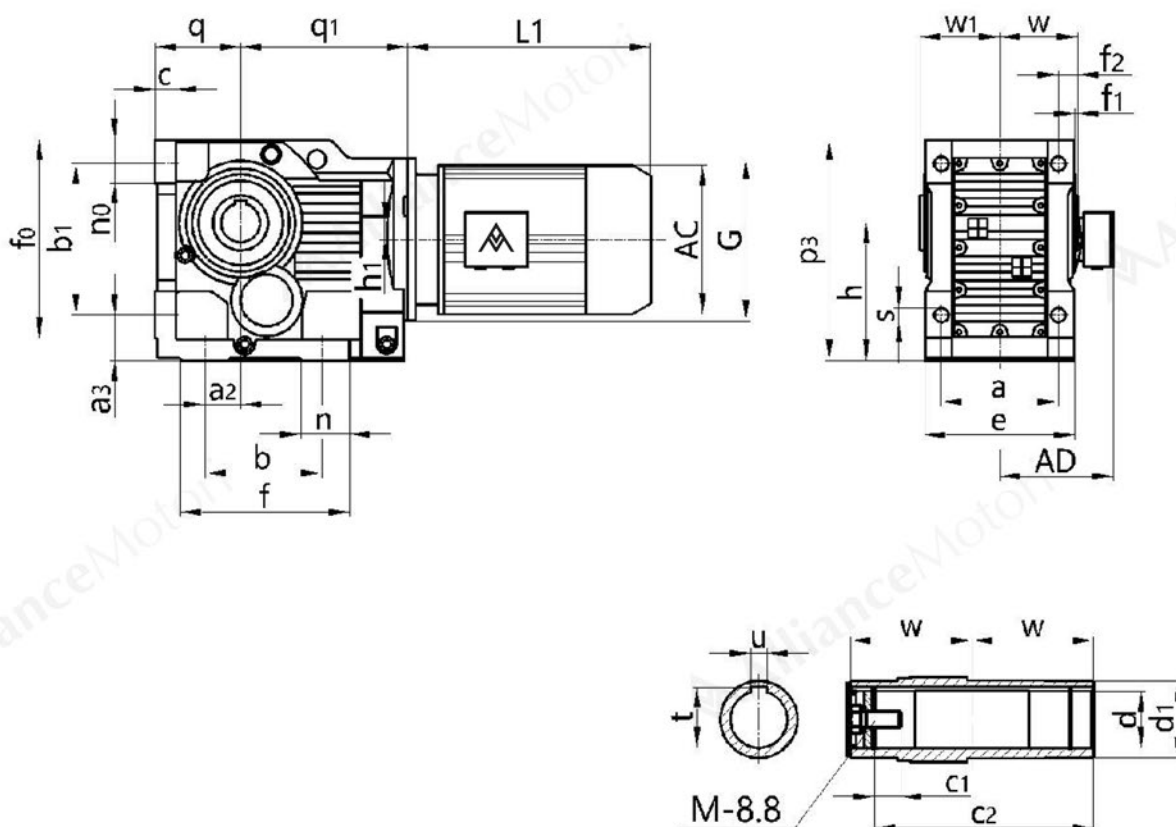


■ Mounting Dimensional Description AKAB49-109



Type Size	s b	p ₃ a ₂	h n	a f ₀	e a ₃	f ₁ b ₁	w n ₀	d h ₁	d ₁ c	t q	u q ₁	f f ₂	c ₁ c ₂	w ₁ M	G	Motor Size			
																AC	AD	L1	
AKAB49	Φ11 130	185 35	112 _{-0.5} 32	120 170	145 37	3 130	75 37	Φ35H7 7.2	Φ50 18	38.3 71 _{-0.5}	10 166	162 15	22 132	78 M12×30	Φ160	Please see appendix A-2 and A-3			
AKAB59	Φ13.5 130	217 30	132 _{-0.5} 43	130 190	157 45	3 150	83 43	Φ40H7 13.1	Φ55 21	43.3 80 _{-0.5}	12 173	172 18	29 142	86 M16×40	Φ160				
AKAB69	Φ13.5 120	228 30	140 _{-0.5} 45	140 203	170 45	3.5 160	90 43	Φ40H7 20	Φ55 24	43.3 90 _{-0.5}	12 179	170 20	29 156	94 M16×40	Φ160				
AKAB79	Φ17.5 150	288 40	180 _{-0.5} 55	165 263	200 55	4 200	105 55	Φ50H7 31.3	Φ70 27	53.8 112 _{-0.5}	14 202	212.5 22.5	32 183	108 M16×45	Φ200				
AKAB89	Φ22 180	340 55	212 _{-0.5} 75	180 305	230 70	4 233	120 67	Φ60H7 25.9	Φ85 32	64.4 132 _{-0.5}	18 257	260 30	36 210	123 M20×50	Φ250				
AKAB99	Φ26 240	417 75	265 ₋₁ 60	240 372	290 75	4 295	150 82	Φ70H7 32.3	Φ95 36	74.9 160 _{-0.5}	20 277	294 30	34 270	153 M20×50	Φ300				
AKAB109	Φ33 280	503 95	315 ₋₁ 100	270 448	340 95	3 360	175 90	Φ90H7 52	Φ118 40	95.4 200 _{-0.5}	25 341	380 40	40 313	178 M24×60	Φ350				

Note:the dimensions don't include the height of the breathe valve.the height of the breathe valve is 17.

Note:When equipping the user's motor or the special one, the flange is required to connected. (Please see appendix D)