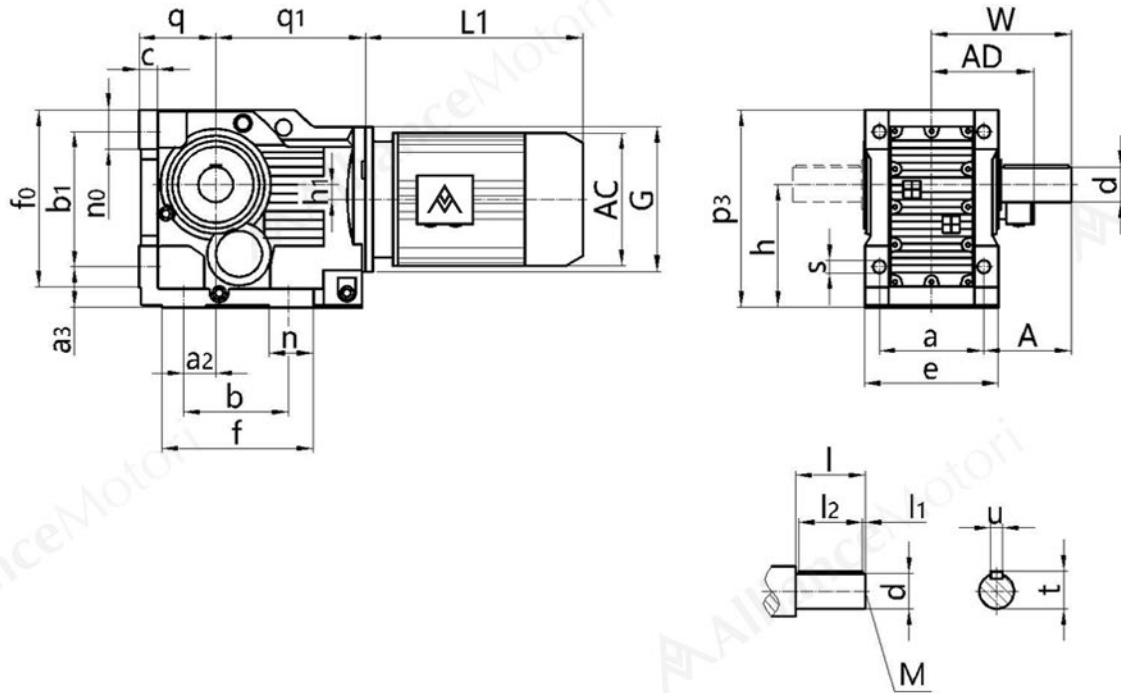


■ Mounting Dimensional Description
AK39 - AK159

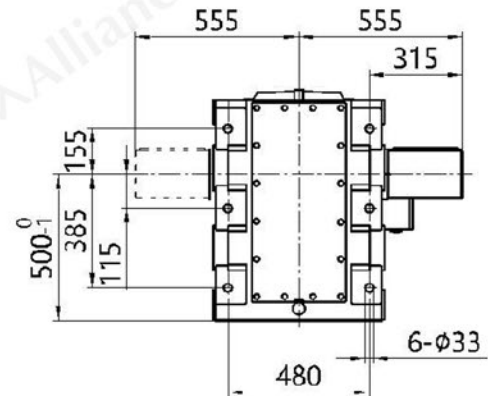
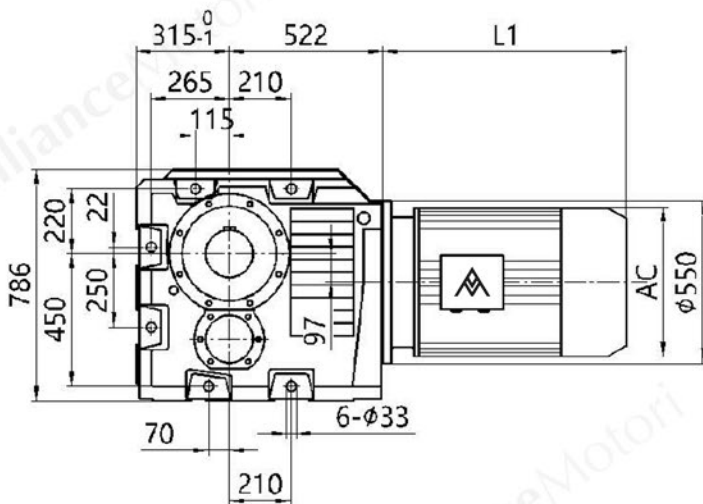
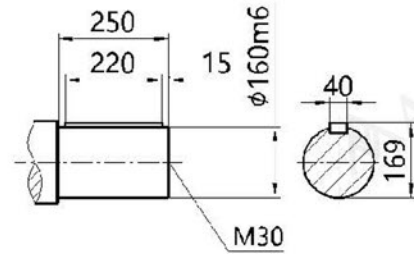
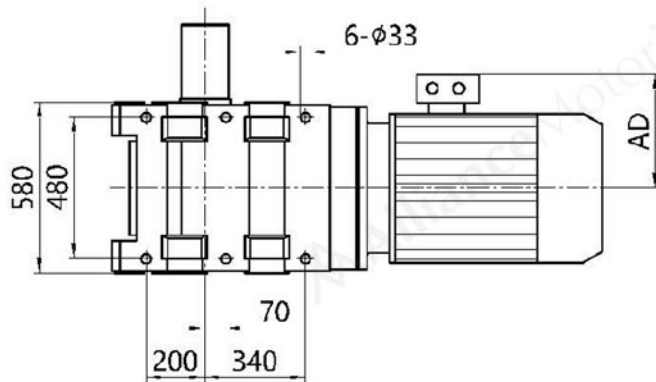


Type Size	a b	a ₂ h	b ₁ q	q ₁ h ₁	s a ₃	d l	l ₁ l ₂	u t	w A	e p ₃	c n ₀	f ₀ f	n M	G	Motor Size			
															AC	AD	L1	
AK39	100 110	28 100 _{-0.5}	115 63 _{-0.5}	139 8.5	Φ11 32	Φ25k6 50	5 40	8 28	110 60	120 165	16 37	150 143	38 M10	Φ120	Please see appendix A-2 and A-3			
AK49	120 130	35 112 _{-0.5}	130 71 _{-0.5}	166 7.2	Φ11 37	Φ30k6 60	3.5 50	8 33	135 75	145 185	18 37	170 162	32 M10	Φ160				
AK59	130 130	30 132 _{-0.5}	150 80 _{-0.5}	173 13.1	Φ13.5 45	Φ35k6 70	7 56	10 38	153 88	157 217	21 43	190 172	43 M12	Φ160				
AK69	140 120	30 140 _{-0.5}	160 90 _{-0.5}	179 20	Φ13.5 45	Φ40k6 80	5 70	12 43	171 101	170 228	24 43	203 170	45 M16	Φ160				
AK79	165 150	40 180 _{-0.5}	200 112 _{-0.5}	202 31.3	Φ17.5 55	Φ50k6 100	10 80	14 53.5	206 123.5	200 288	27 55	263 212.5	55 M16	Φ200				
AK89	180 180	55 212 _{-0.5}	233 132 _{-0.5}	257 25.9	Φ22 70	Φ60m6 120	5 110	18 64	240 150	230 340	32 67	305 260	75 M20	Φ250				
AK99	240 240	75 265 ₋₁	295 160 _{-0.5}	277 32.3	Φ26 75	Φ70m6 140	7.5 125	20 74.5	291 171	290 417	36 82	372 294	60 M20	Φ300				
AK109	270 280	95 315 ₋₁	360 200 _{-0.5}	341 52	Φ33 95	Φ90m6 170	5 160	25 95	347 212	340 503	40 90	448 380	100 M24	Φ350				
AK129	330 350	115 375 ₋₁	420 225 _{-0.5}	390 53	Φ39 110	Φ110m6 210	15 180	28 116	418 253	400 592	45 111	526 440	100 M24	Φ450				
AK159	420 380	140 450 ₋₁	500 280 ₋₁	426 71.7	Φ39 130	Φ120m6 210	5 200	32 127	457 247	500 705	50 125	634 480	100 M24	Φ550				

Note: the dimensions don't include the height of the breathe valve. the height of the breathe valve is 17.

Note: When equipping the user's motor or the special one, the flange is required to connected. (Please see appendix D)

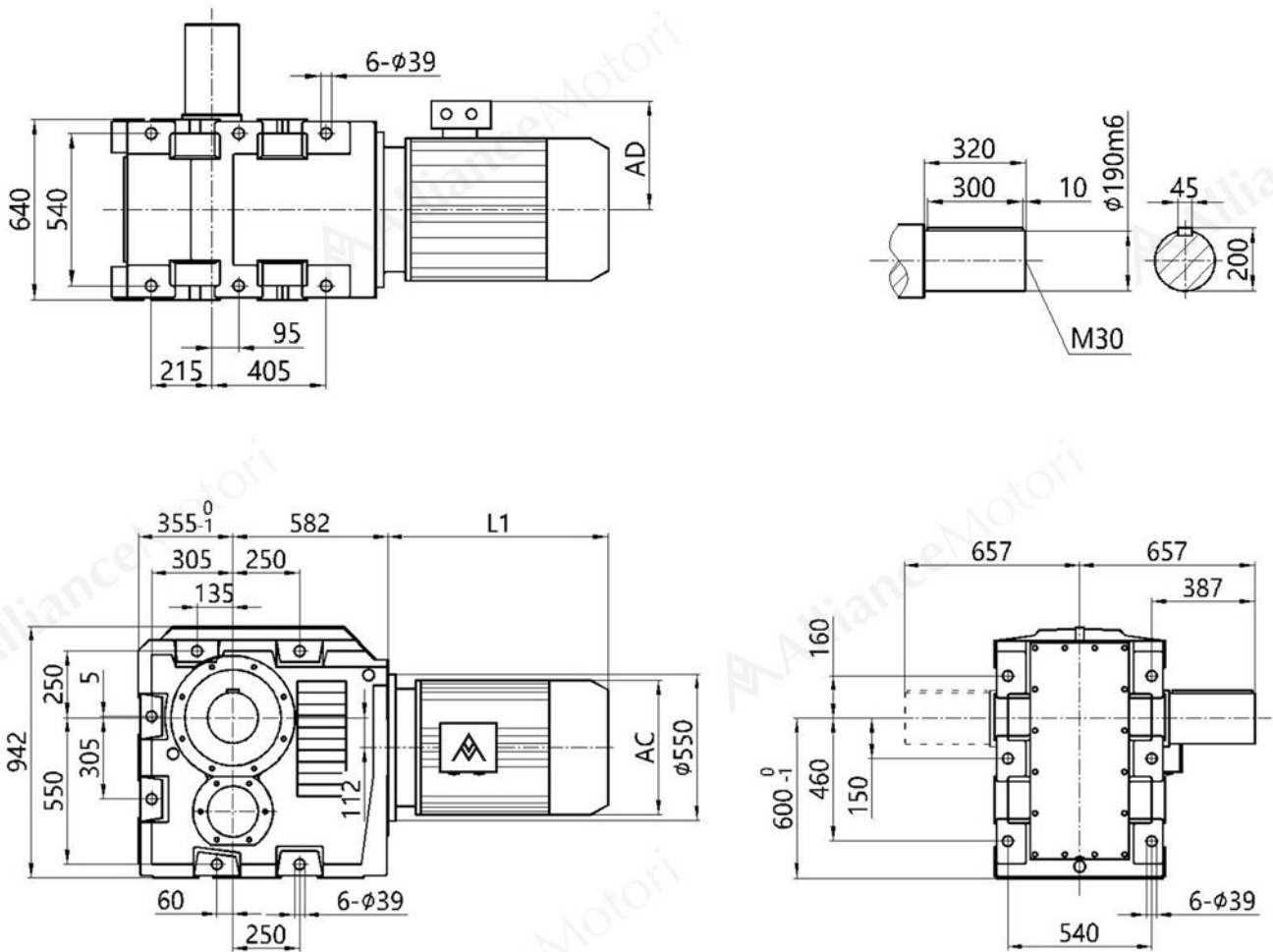
■ Mounting Dimensional Description AK169



Note: When equipping the user's motor or the special one, the flange is required to be connected. (Please see appendix D)

Note: See Appendix A-2 and A-3 for dimensions of direct-connected motors

■ Mounting Dimensional Description AK189



Note: When equipping the user's motor or the special one, the flange is required to be connected. (Please see appendix D)

Note: See Appendix A-2 and A-3 for dimensions of direct-connected motors