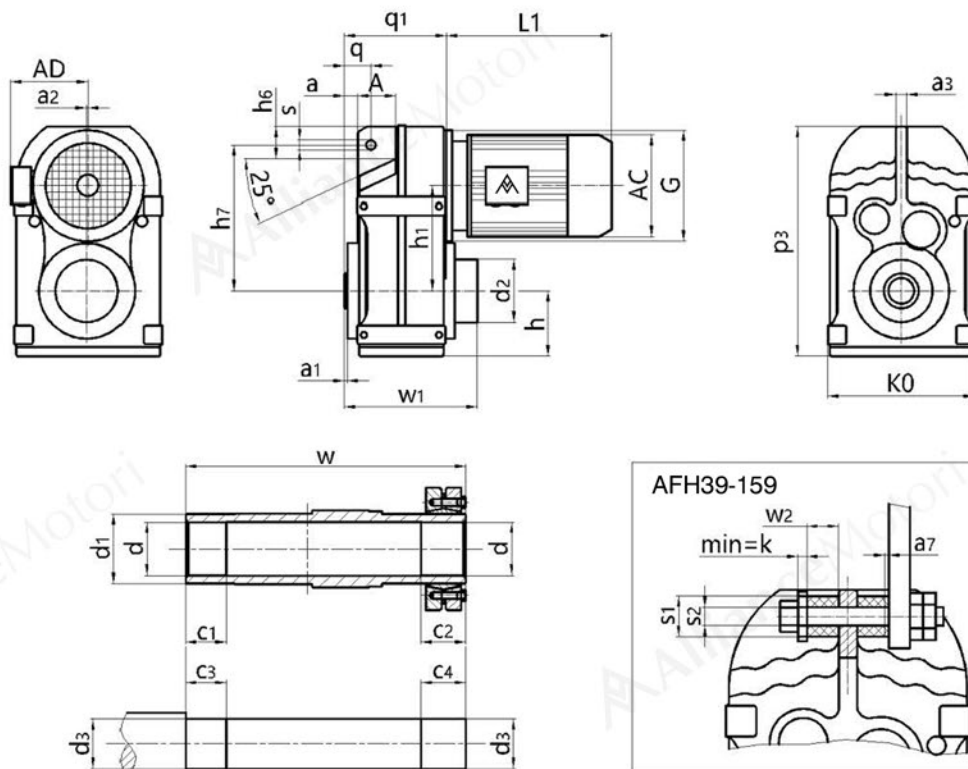


Mounting Dimensional Description
AFH39-159



Type Size	q1	h	h7	w	c2	c3	q	d2	d	a	s	a3	s1	k	a7	Motor Size			
																p3	h1	h6	w1
AFH39	110	77	158	146	31	25	31.5	Φ80	Φ30H7	15	Φ14	12	Φ40	5	1	Please see appendix A-2 and A-3	AC	AD	L1
	256	112	30	152.5	20	36	46	Φ45	Φ30h6	2.5	/	165	Φ12.5 ^{+0.5}	20	Φ120				
AFH49	133	80	170	177	32	25	32	Φ88	Φ35H7	12	Φ14	12	Φ40	5	1.8	Please see appendix A-2 and A-3	AC	AD	L1
	276	128.1	22	183	20	37	64	Φ50	Φ35h6	3	/	180	Φ12.5 ^{+0.5}	20	Φ120				
AFH59	150	93	198	195	26	25	40.5	Φ102	Φ40H7	19.5	Φ14	14	Φ40	5	2.4	Please see appendix A-2 and A-3	AC	AD	L1
	321	136	31	202	20	31	60	Φ55	Φ40h6	3	/	200	Φ12.5 ^{+0.5}	20	Φ160				
AFH69	161	97	218	208	38	25	41	Φ102	Φ40H7	21	Φ14	16	Φ40	5	3	Please see appendix A-2 and A-3	AC	AD	L1
	348	159.5	40	215.5	20	43	65	Φ55	Φ40h6	3.5	/	212	Φ12.5 ^{+0.5}	20	Φ160				
AFH79	193	122	278	241	36	35	50	Φ127	Φ50H7	26.5	Φ22	20	Φ60	10	3.2	Please see appendix A-2 and A-3	AC	AD	L1
	430	200	50	249	30	41	69	Φ70	Φ50h6	4	/	270	Φ21 ^{+0.5}	30	Φ200				
AFH89	224	150	346	281	41	45	62	Φ157	Φ65H7	32	Φ22	26	Φ60	10	4.5	Please see appendix A-2 and A-3	AC	AD	L1
	534	246.7	57	287	40	46	79	Φ85	Φ65h6	4	/	330	Φ21 ^{+0.5}	30	Φ250				
AFH99	274	180	395	345	55	55	70	Φ171	Φ75H7	34	Φ26	30	Φ80	12	5	Please see appendix A-2 and A-3	AC	AD	L1
	630	285	88	352	50	60	104	Φ95	Φ75h6	4	/	400	Φ25 ^{+0.5}	40	Φ300				
AFH109	312	201	485	405	65	70	88	Φ234	Φ95H7	57	Φ26	36	Φ80	12	6	Please see appendix A-2 and A-3	AC	AD	L1
	723	332.4	108	417	60	75	100	Φ118	Φ95h6	2.5	/	450	Φ25 ^{+0.5}	40	Φ350				
AFH129	373	236	550	485	85	80	110	Φ233	Φ105H7	66	Φ33	40	Φ100	15	9	Please see appendix A-2 and A-3	AC	AD	L1
	861	382.6	138	493	70	95	125	Φ135	Φ105h6	2.5	10	530	Φ32 ^{+0.5}	60	Φ450				
AFH159	455	286	660	580	90	90	150	Φ287	Φ125H7	98	Φ33	45	Φ120	15	9	Please see appendix A-2 and A-3	AC	AD	L1
	1021	447	170	592	80	100	140	Φ155	Φ125h6	3	15	660	Φ32 ^{+0.5}	60	Φ550				

Note:the dimensions don't include the height of the breathe valve.the height of the breathe valve is 17.

Note:When equipping the user's motor or the special one, the flange is required to connected. (Please see appendix D)