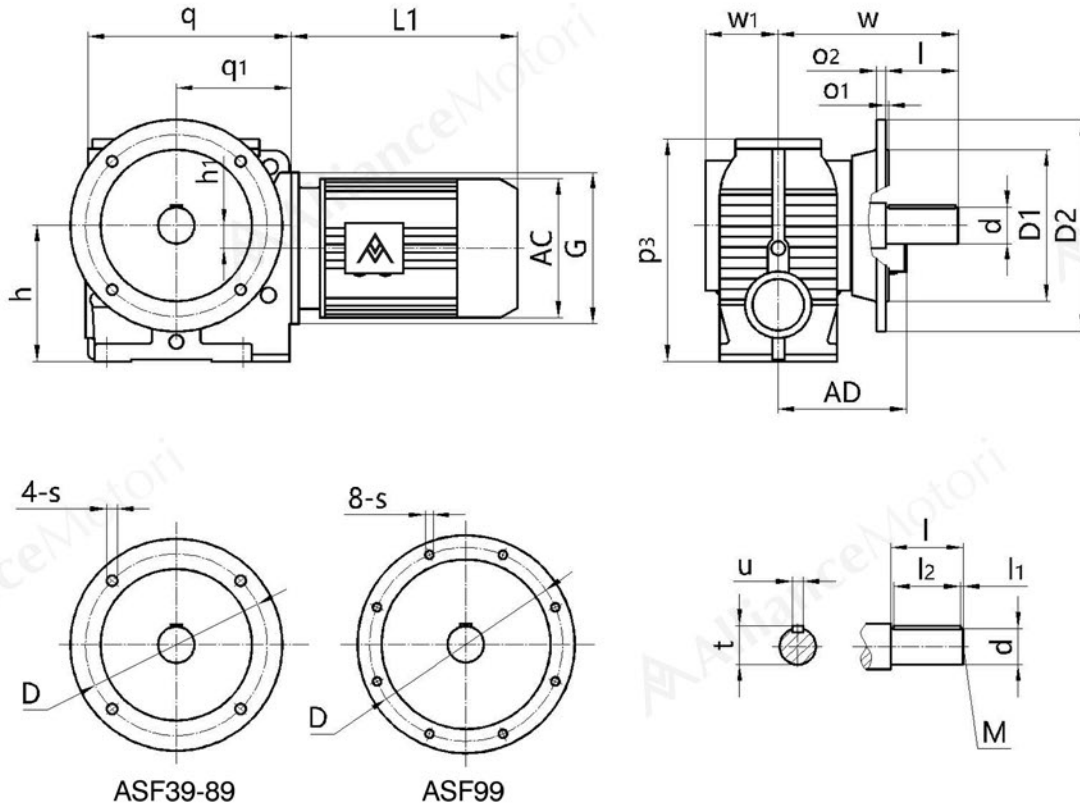


■ Mounting Dimensional Description ASF39 - ASF99



Type Size	q p ₃	q ₁ w	h w ₁	h ₁ u	s t	D l	D1 l ₁	D2 l ₂	o ₁ d	o ₂ M	G	Motor Size											
												AC	AD	L1									
ASF39	143	80	82.0.5	/	Φ9/Φ6.6	Φ130/Φ100	Φ110j6/Φ80j6	Φ160/Φ120	3.5/3	10/8	Φ120	Please see appendix A-2 and A-3											
	131	115	57	6	22.5	40	4	32	Φ20k6	M6													
ASF49	175	96	100.0.5	8	Φ9	Φ130	Φ110j6	Φ160	3.5	10	Φ120					Please see appendix A-2 and A-3							
	181	133.5	57.5	8	28	50	5	40	Φ25k6	M10													
ASF59	191	107	112.0.5	20	Φ11	Φ165	Φ130j6	Φ200	3.5	10	Φ120									Please see appendix A-2 and A-3			
	191	160	72	8	33	60	3.5	50	Φ30k6	M10													
ASF69	246	135	140.0.5	22	Φ11	Φ165	Φ130j6	Φ200	3.5	12	Φ160												
	238	190	80.5	10	38	70	7	56	Φ35k6	M12													
ASF79	292	162	180.0.5	34	Φ13.5	Φ215	Φ180j6	Φ250	4	15	Φ200	Please see appendix A-2 and A-3											
	304	232	125	14	48.5	90	5	80	Φ45k6	M16													
ASF89	344	190	225.0.5	37.5	Φ17.5	Φ300	Φ250h6	Φ350	5	15	Φ250					Please see appendix A-2 and A-3							
	372	290	150	18	64	120	5	110	Φ60m6	M20													
ASF99	425	240	280.1	52	Φ17.5	Φ400	Φ350h6	Φ450	5	22	Φ300									Please see appendix A-2 and A-3			
	460	340	170	20	74.5	140	7.5	125	Φ70m6	M20													

Note:the dimensions don't include the height of the breathe valve.the height of the breathe valve is 17.

Note:When equipping the user's motor or the special one, the flange is required to connected. (Please see appendix D)