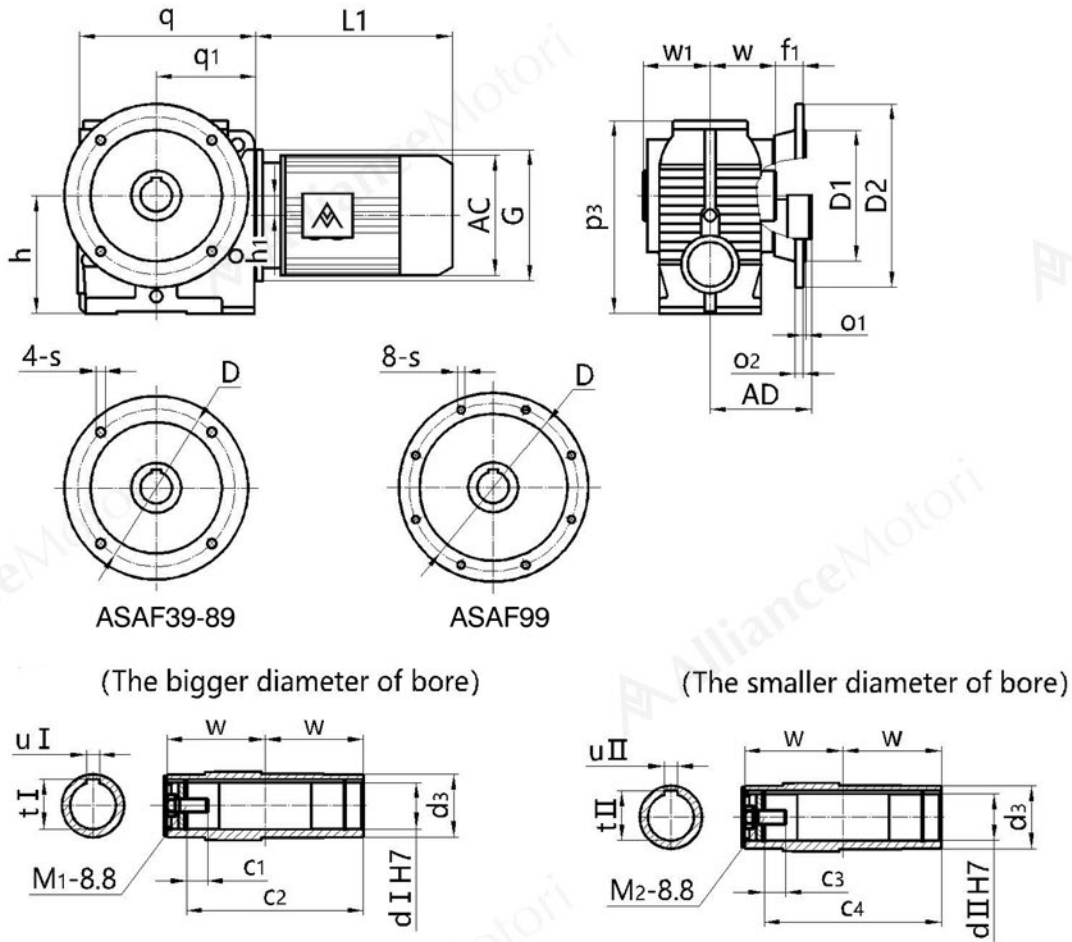


■ Mounting Dimensional Description ASAF39 - ASAF99



(The bigger diameter of bore)

(The smaller diameter of bore)

Type Size	q	q1	h	h1	s	D	D1	D2	o1	o2	c1	c3	M1	G	Motor Size		
	p3	w	f1	d3	d I	u I	t I	d II	u II	t II	c2	c4	M2	w1	AC	AD	L1
ASAF39	143	80	82-0.5	/	Φ9/Φ6.6	Φ130/Φ100	Φ110j6/Φ80j6	Φ160/Φ120	3.5/3	10/8	8	/	M6×16	Φ120			
	131	60	15	Φ35	Φ20	6	22.8	/	/	/	103.7	/	/	62.5			
ASAF49	175	96	100-0.5	8	Φ9	Φ130	Φ110j6	Φ160	3.5	10	17	17	M10×25	Φ120			
	181	60	24	Φ45	Φ30	8	33.3	Φ25	8	28.3	103.7	103.7	M10×25	63			
ASAF59	191	107	112-0.5	20	Φ11	Φ165	Φ130j6	Φ200	3.5	12	22	17	M12×30	Φ120			
	191	75	25	Φ50	Φ35	10	38.3	Φ30	8	33.3	132	132	M10×25	78			
ASAF69	246	135	140-0.5	22	Φ11	Φ165	Φ130j6	Φ200	3.5	12	29	29	M16×40	Φ160			
	238	84	42.5	Φ65	Φ45	14	48.8	Φ40	12	43.3	144	144	M16×40	87			
ASAF79	292	162	180-0.5	34	Φ13.5	Φ215	Φ180j6	Φ250	4	15	37	32	M20×50	Φ200			
	304	105	45.5	Φ80	Φ60	18	64.4	Φ50	14	53.8	183	183	M16×45	108			
ASAF89	344	190	225-0.5	37.5	Φ17.5	Φ300	Φ250h6	Φ350	5	15	34	36	M20×50	Φ250			
	372	125	52.5	Φ95	Φ70	20	74.9	Φ60	18	64.4	220	220	M20×50	128			
ASAF99	425	240	280-1	52	Φ17.5	Φ400	Φ350h6	Φ450	5	17	41	34	M24×60	Φ300			
	460	145	60	Φ120	Φ90	25	95.4	Φ70	20	74.9	260	260	M20×50	149			

Note:the dimensions don't include the height of the breathe valve.the height of the breathe valve is 17.

Note:When equipping the user's motor or the special one, the flange is required to connected. (Please see appendix D)

Please see appendix A-2 and A-3